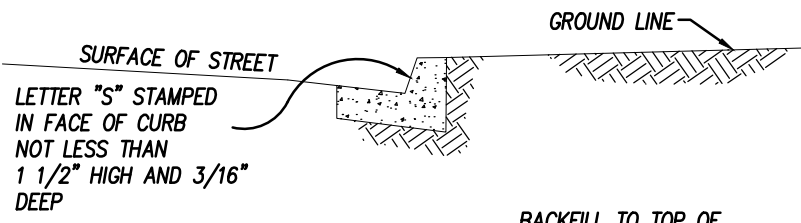


PLAN
 STANDARD WYE OR TEE, OR "CUT IN" CONNECTION.
 WHERE A "CUT IN" CONNECTION IS USED, IT SHALL
 BE SURROUNDED WITH 4" OF CLASS 470-C-2000
 CONCRETE.

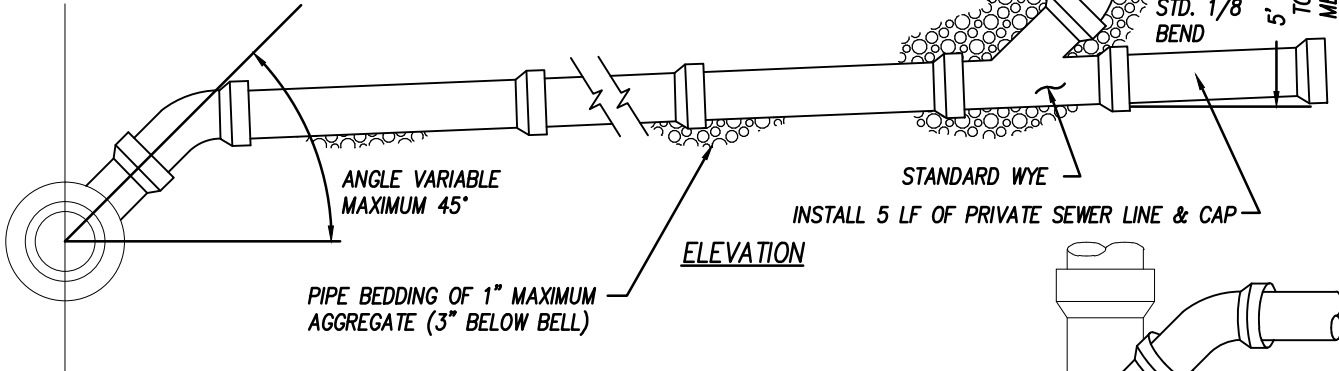
LEAVE C.O. RISER ABOVE
 ADJACENT GRADE. CITY
 FORCES TO SET C.O. BOX.



LETTER "S" STAMPED
 IN FACE OF CURB
 NOT LESS THAN
 1 1/2" HIGH AND 3/16"
 DEEP

BACKFILL TO TOP OF
 1/8 BEND WITH 1"
 MAXIMUM AGGREGATE

24" MIN.
 5' MINIMUM ℓ TO
 TOP OF CURB
 MEASURED AT ℓ

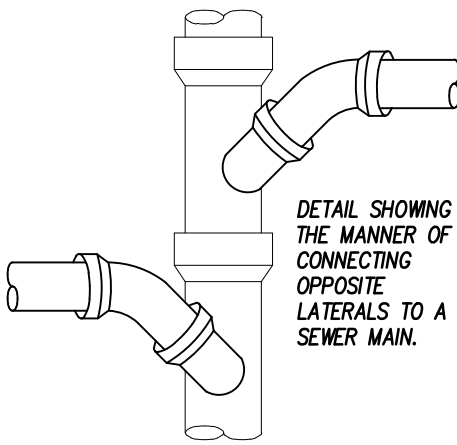


ANGLE VARIABLE
 MAXIMUM 45°

PIPE BEDDING OF 1" MAXIMUM
 AGGREGATE (3" BELOW BELL)

ELEVATION

STANDARD WYE
 INSTALL 5 LF OF PRIVATE SEWER LINE & CAP



DETAIL SHOWING
 THE MANNER OF
 CONNECTING
 OPPOSITE
 LATERALS TO A
 SEWER MAIN.

LEGEND ON PLANS

NOTES:

1. IN NO CASE SHALL A LATERAL CONNECT TO A SEWER MAIN DIRECTLY ON TOP OF THE PIPE.
2. SEWER LATERALS SHALL HAVE A MINIMUM SLOPE OF 2%.
3. ALL JOINTS ON SEWER LATERAL PIPE SHALL BE COMPRESSION TYPE SDR-35.
4. LATERALS SHALL EXTEND TO PROPERTY LINE UNLESS OTHERWISE NOTED ON PLANS.

(S)

REVISION	BY	APPROVED	DATE
REDRAWN	MR	S. CROSBY	03/13

CITY OF POWAY STANDARD DRAWING

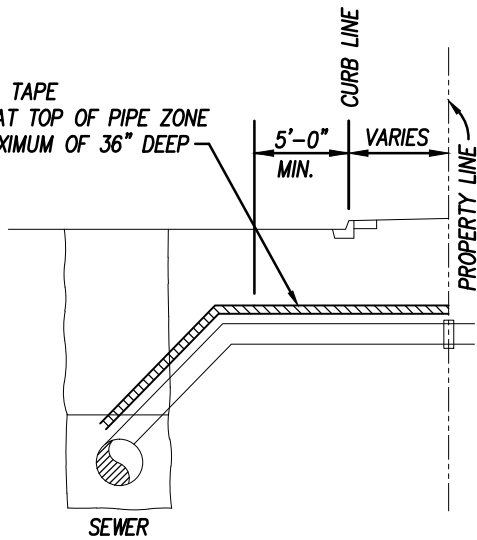
SEWER LATERAL
 WITH PROPERTY LINE CLEANOUT

APPROVED

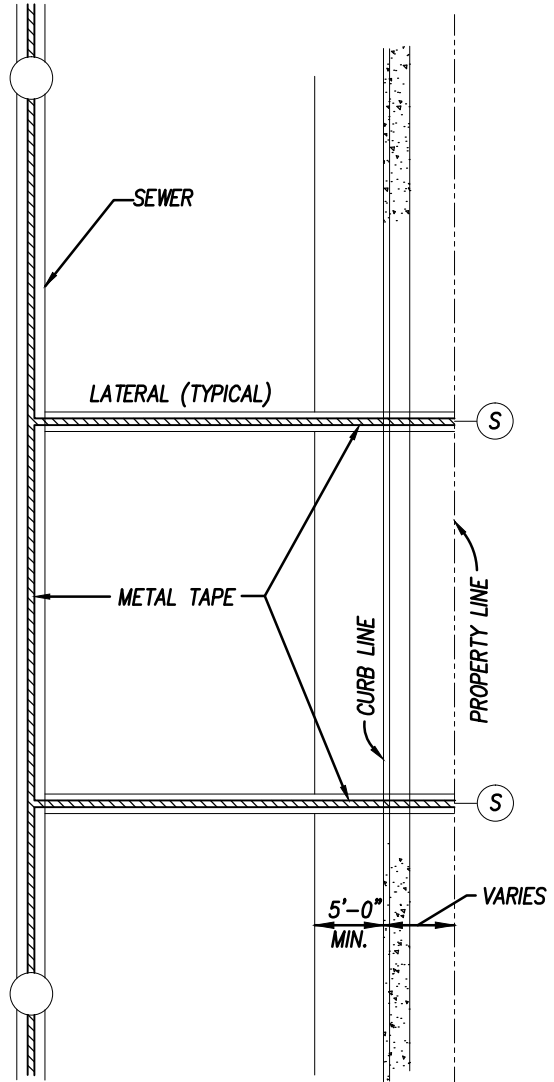
[Signature] 9/1/16
 CITY ENGINEER DATE
 R.C.E. 41975

DRAWING NUMBER PS-13

6" METAL TAPE
 INSTALL AT TOP OF PIPE ZONE
 OR A MAXIMUM OF 36" DEEP



SECTION



PLAN

REVISION	BY	APPROVED	DATE
REDRAWN	MR	S. CROSBY	03/13

CITY OF POWAY STANDARD DRAWING

METALLIC TAPE LOCATOR
 FOR NON-METALLIC SEWER PIPE

APPROVED

[Signature]
 CITY ENGINEER
 R.C.E. 41975

9/1/06
 DATE

DRAWING
 NUMBER

