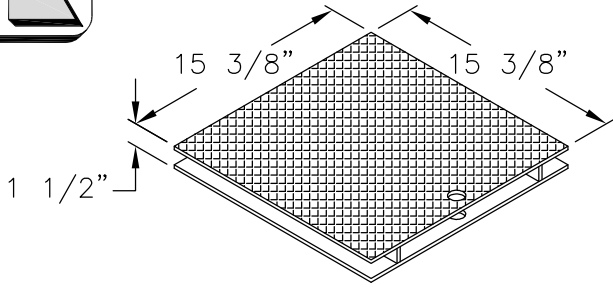
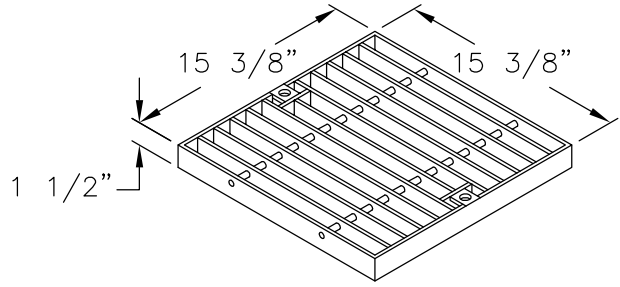


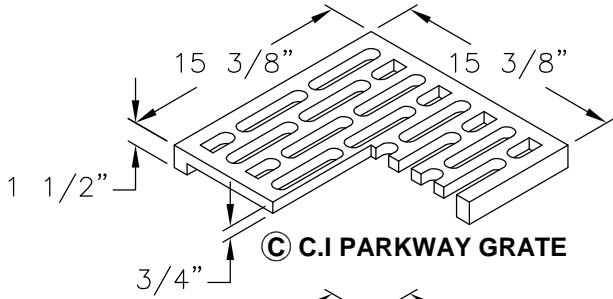
**(A) SOLID STEEL COVER
(TRAFFIC or PARKWAY)**



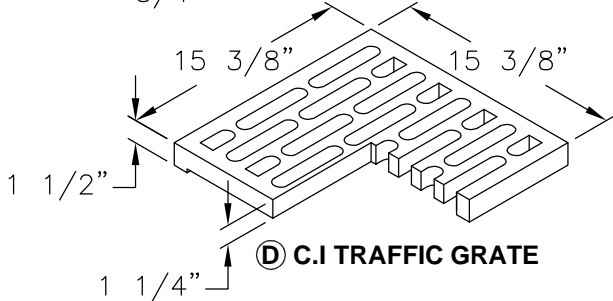
**(B) STEEL GRATE
(TRAFFIC or PARKWAY)**



(C) C.I PARKWAY GRATE

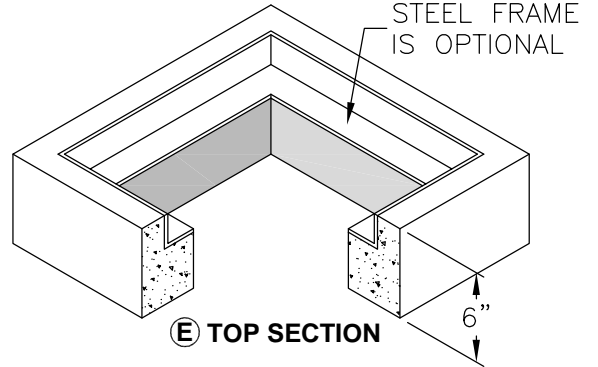


(D) C.I TRAFFIC GRATE

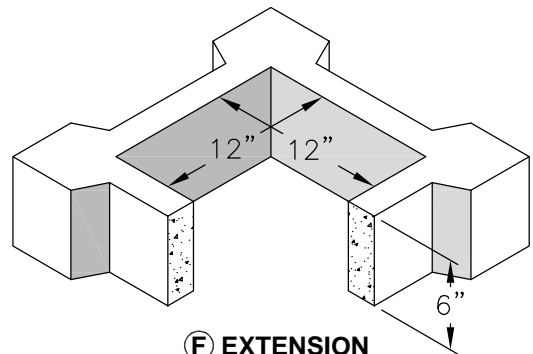


STEEL FRAME IS OPTIONAL

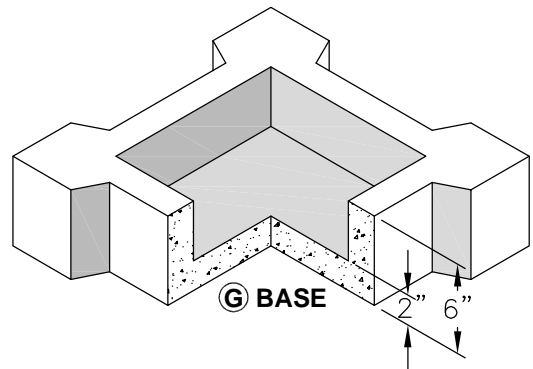
(E) TOP SECTION



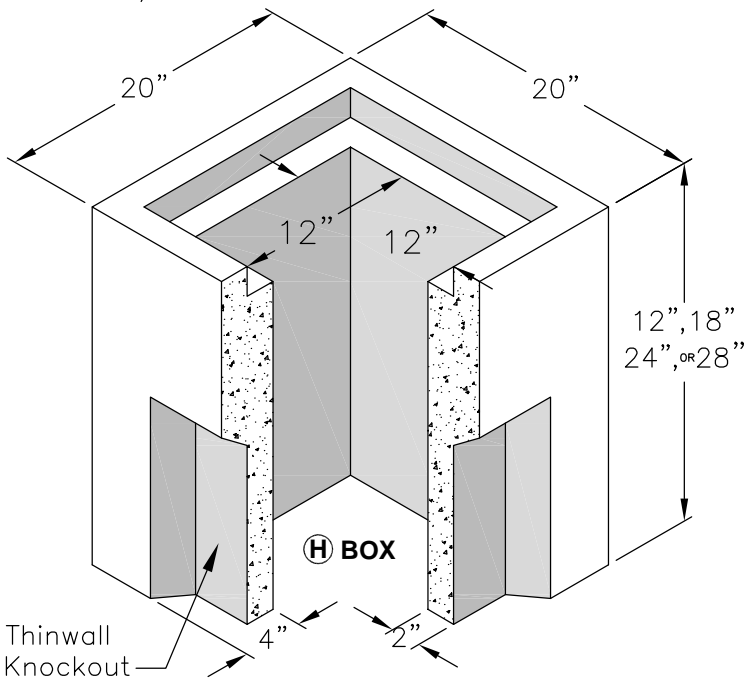
(F) EXTENSION



(G) BASE



(H) BOX



*Catch Basin Height *Knockout Size

12" High.....	8"W X 6"H
18" High.....	8"W X 13"H
24" High.....	7"W X 19"H
28" High.....	7"W X 19"H

NOTES

1. Steel Traffic Frames W/ Steel TFC Covers Or Steel TFC Grates Are Designed For AASHTO H-20 Wheel Loading, But Are Not Intended For Direct Traffic Installations.
2. Steel Frames W/ Steel Parkway Covers Or Steel Parkway Grates, Are Designed For A Live Load Of 300 p.s.f.
3. Cast Iron Traffic Grates Are Designed For AASHTO H-10 Wheel Loading, But Are Not Intended For Direct Traffic Installations
4. Cast Iron Parkway Grates Are Designed For 300 p.s.f Wheel Loading.

**CB1212 SERIES
12" X 12" CATCH BASIN**

