



# South Bay Foundry

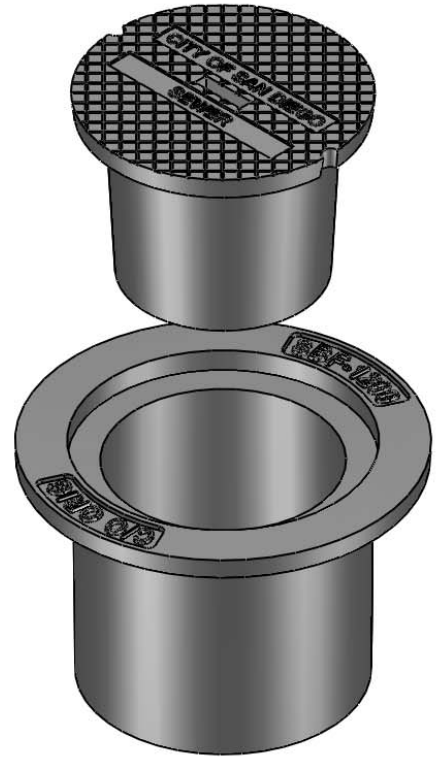
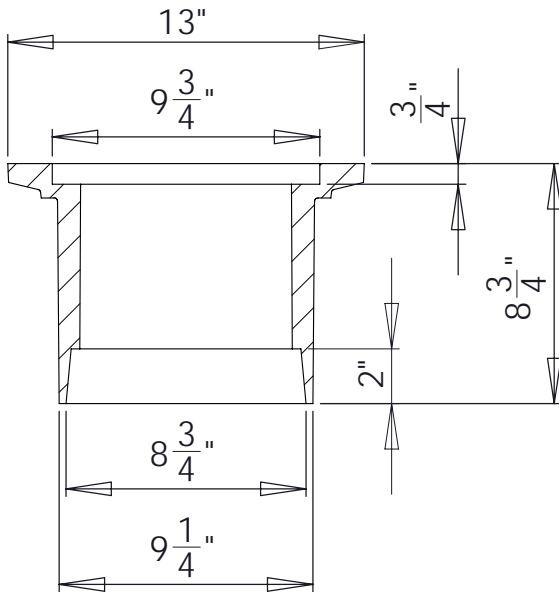
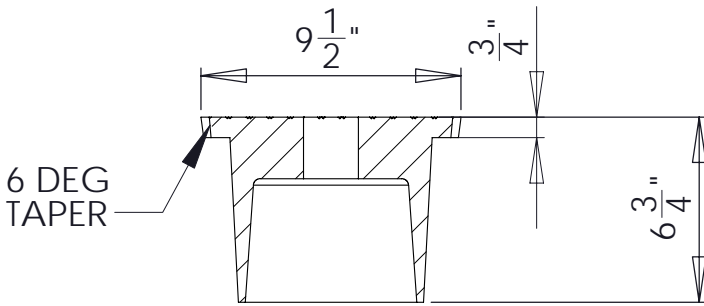
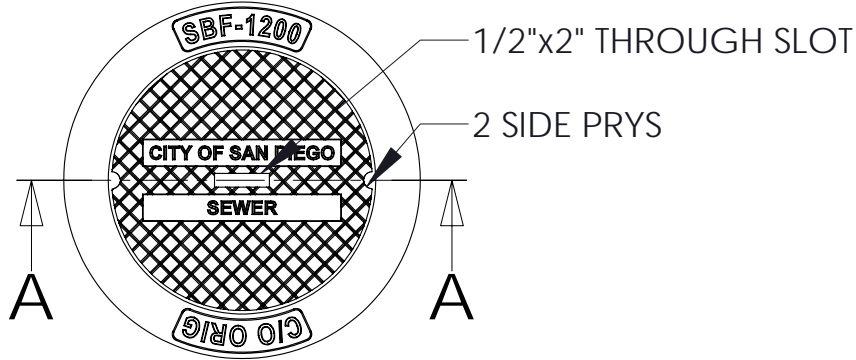
WWW.SOUTHBAYFOUNDRY.COM

PHONE: (619) 956-2780 FAX: (619) 956-2788

## SBF 1200

8" FRAME AND LID

CITY OF SAN DIEGO SEWER



SET WEIGHT	
FRAME	50 LB
LID	40 LB
<b>TOTAL</b>	<b>90 LB</b>



## SECTION A-A

### GENERAL INFORMATION

- \*MATERIALS CONFORM TO ASTM A48 CLASS 35B
- \*BEARING SURFACES MACHINED FOR CLOSE, QUIET FIT
- \*CASTINGS SHALL BE DIPPED IN BLACK BITUMINOUS PAINT
- \*FRAME AND COVER MEETS H-20 WHEEL LOADING

APPROVED

BY:

TITLE:

AGENCY:

DATE: