



South Bay Foundry

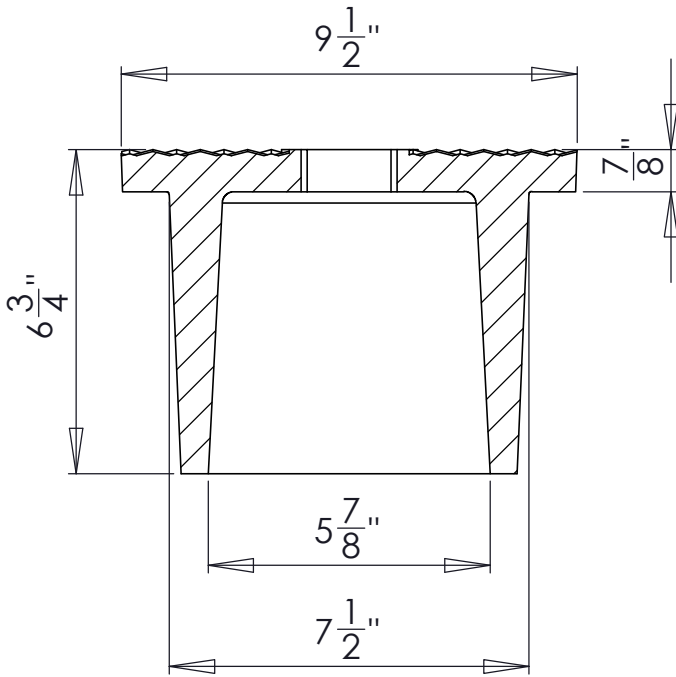
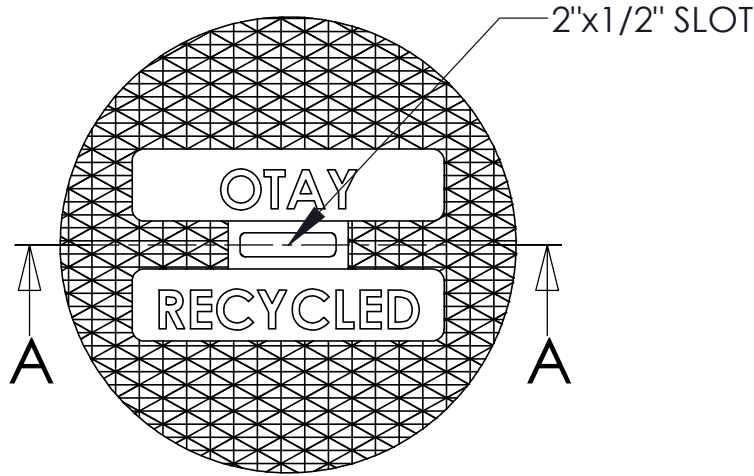
WWW.SOUTHBAYFOUNDRY.COM

PHONE: (619) 956-2780 FAX: (619) 956-2788

SBF 1200 LID

OTAY RECYCLED

B6243



WEIGHT
48 LB



SECTION A-A

GENERAL INFORMATION

- *MATERIALS CONFORM TO ASTM A48 CLASS 35B
- *CASTINGS SHALL BE DIPPED IN BLACK BITUMINOUS PAINT
- *MEETS H-20 WHEEL LOADING
- *FINISHED PRODUCT SHALL FIT INSIDE 8" PVC CLASS 200 PIPE (0.690" WALL)

REVISION 05/23/12: CHANGED SKIRT SEAT DIMENSION TO 7-1/2"

DRAWN

BY: T SMITH

DATE: 01/05/11

REV: 05/23/12