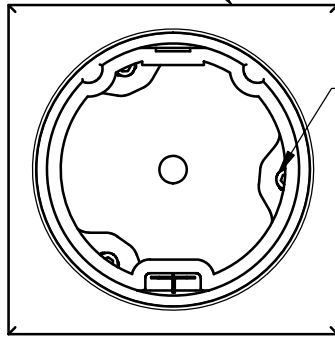


CUSTOM FABRICATED ITEM
 ITEM IS NON-RETURNABLE
 AND CANNOT BE CANCELED
 ONCE PLACED INTO PRODUCTION.

X _____ APPROVED BY
 DATE: _____

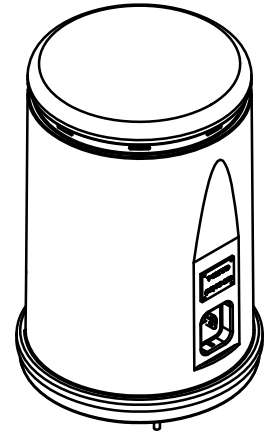
CONCRETE PAD



3 - 1/2" CONCRETE ANCHORS
 WITH STAINLESS FENDER WASHERS

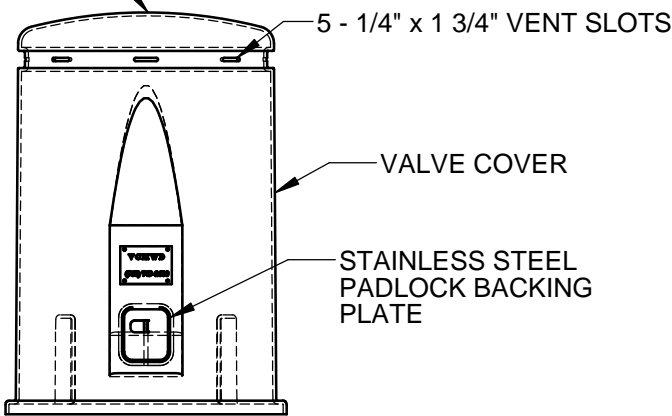
TOP VIEW

PART NO:	COLOR:
VCAS-1424-BE	BEIGE
VCAS-1424-BL	BLUE
VCAS-1424-GM	GRANITE
VCAS-1424-GR	GREEN
VCAS-1424-PR	PURPLE
VCAS-1424-SM	SANDSTONE
VCAS-1424-TN	TAN
VCAS-1424-YL	YELLOW



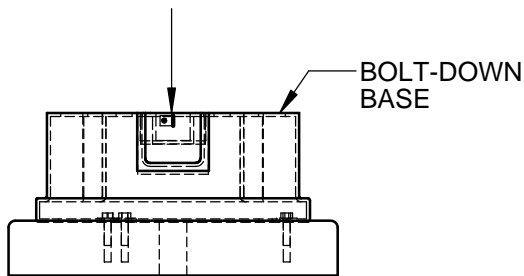
ISOMETRIC VIEW

DOMED TOP



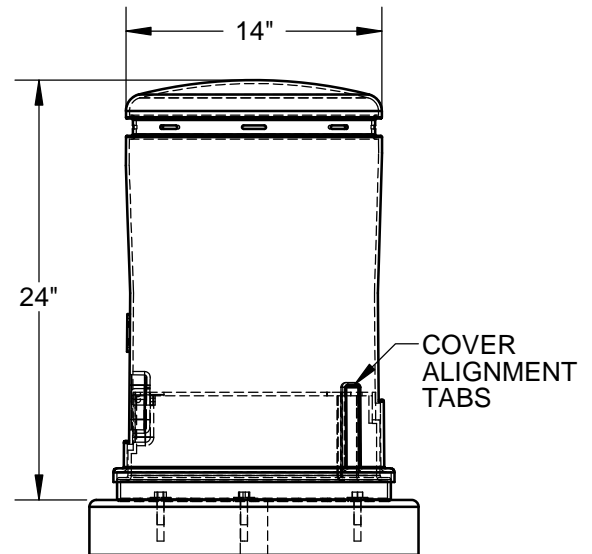
VALVE COVER

STAINLESS STEEL
 PADLOCK BACKING
 PLATE



BOLT-DOWN
 BASE

FRONT VIEW
 (OPENED)



COVER
 ALIGNMENT
 TABS

SIDE VIEW

NOTES:

- ENCLOSURE SHALL HAVE A BOLT DOWN BASE WITH REMOVABLE COVER.
- COVER & BASE TO BE MANUFACTURED FROM 3/16" WALL POLYETHYLENE WITH UV STABILIZERS.
- COVER SHALL LOCK TO BASE WITH AN INTEGRAL AUTO-LATCH AND PADLOCK HASP.
- ENCLOSURE SHALL BE SUPPLIED IN COLOR OF CHOICE.
- FOR ADDITIONAL CHARGE, REFLECTIVE TAPE AND RIVETED BUG SCREENS OVER THE VENT HOLES CAN BE SUPPLIED.

DO NOT SCALE DRAWING	TITLE: POLYETHYLENE AIR & VACUUM VALVE ENCLOSURE	PART NO: SEE CHART	
DIMENSIONS ARE IN INCHES		DRAWN: HUELSMAN	REV: A
		SCALE: NTS	SHEET 1 OF 1