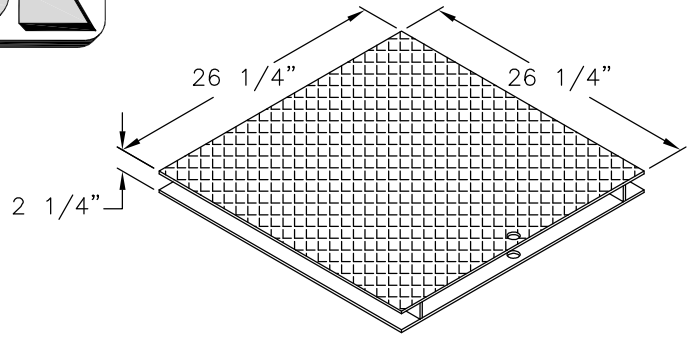
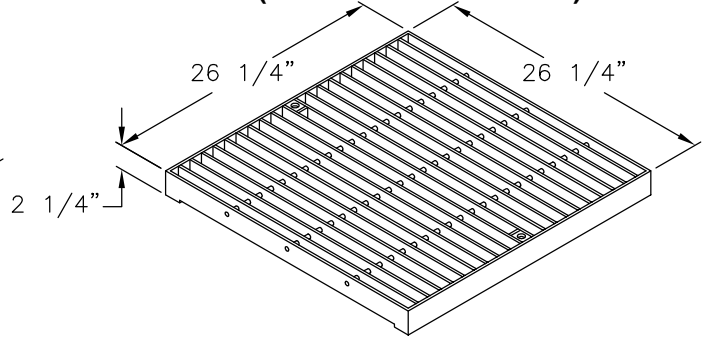


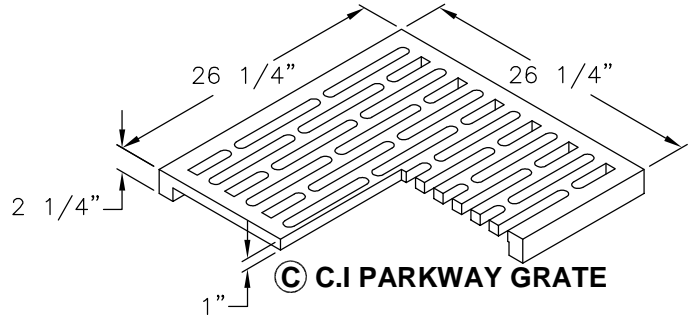
A SOLID STEEL COVER (TRAFFIC or PARKWAY)



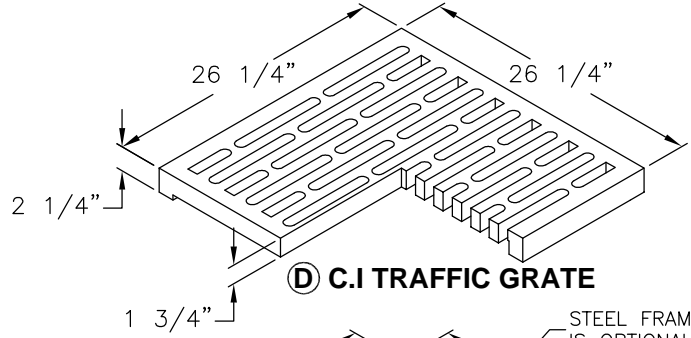
B STEEL GRATE (TRAFFIC or PARKWAY)



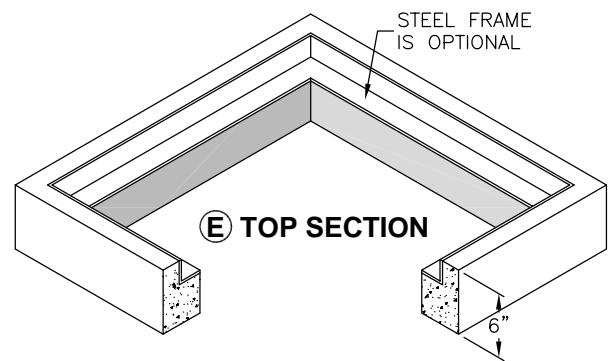
C C.I PARKWAY GRATE



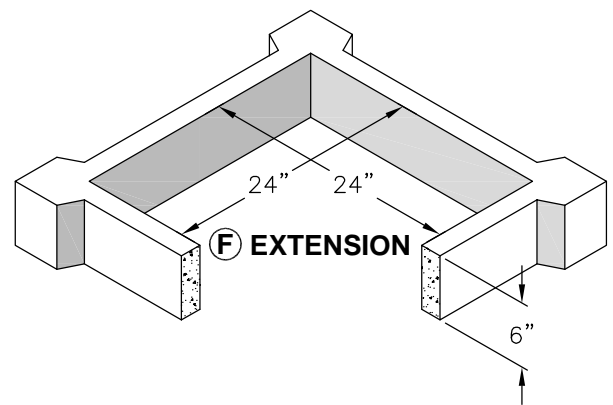
D C.I TRAFFIC GRATE



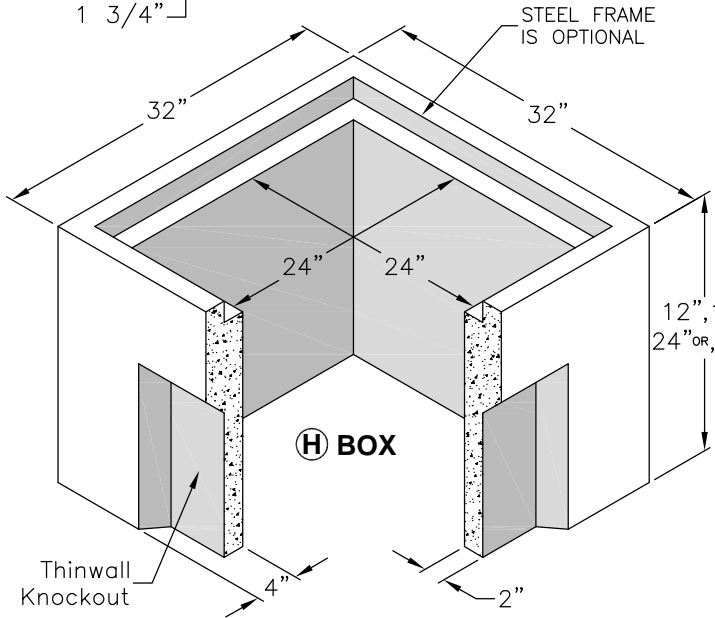
E TOP SECTION



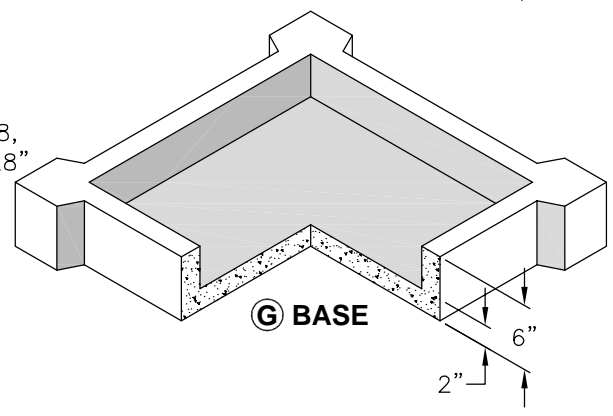
F EXTENSION



H BOX



G BASE



*Catch Basin Height *Knockout Size

12" High.....	14"W X 7"H
18" High.....	14"W X 11"H
24" High.....	14"W X 17"H
28" High.....	14"W X 22"H

NOTES

1. Steel Traffic Frames W/ Steel TFC Covers Or Steel TFC Grates Are Designed For AASHTO H-20 Wheel Loading, But Are Not Intended For Direct Traffic Installations.
2. Steel Frames W/ Steel Parkway Covers Or Steel Parkway Grates, Are Designed For A Live Load Of 300 p.s.f.
3. Cast Iron Traffic Grates Are Designed For AASHTO H-10 Wheel Loading, But Are Not Intended For Direct Traffic Installations
4. Cast Iron Parkway Grates Are Designed For 300 p.s.f Wheel Loading.

**CB2424 SERIES
24" X 24" CATCH BASIN**

