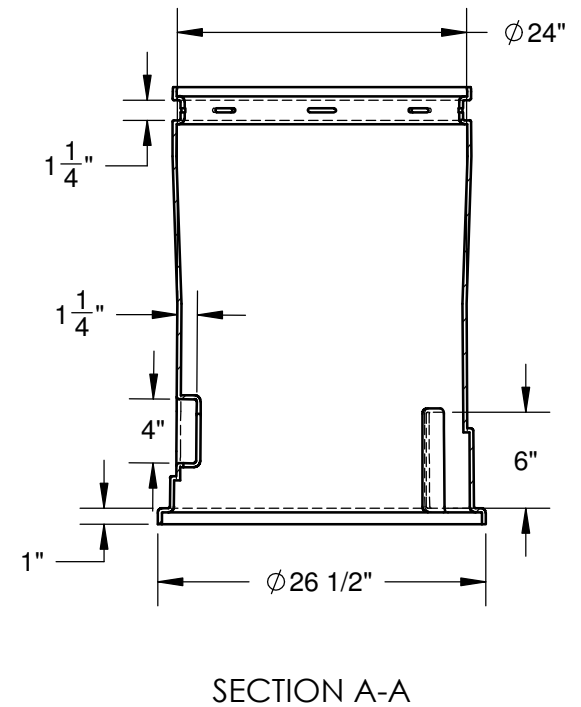
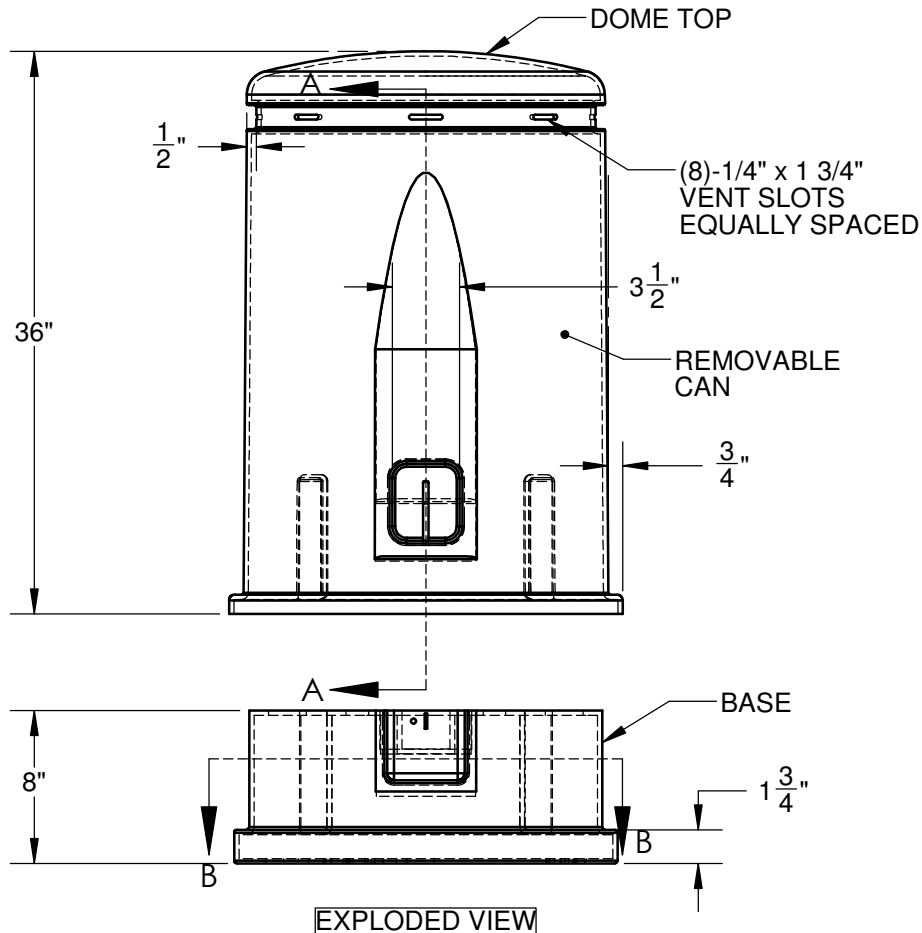
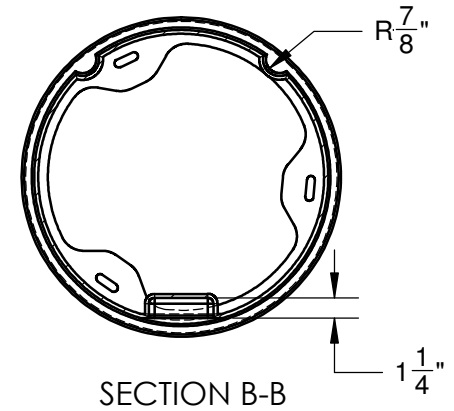


PART NO.	COLOR:
VCAS-2436-BE	BEIGE
VCAS-2436-BL	BLUE
VCAS-2436-GM	GRANITE
VCAS-2436-GR	GREEN
VCAS-2436-PR	PURPLE
VCAS-2436-SM	SANDSTONE
VCAS-2436-TN	TAN
VCAS-2436-YL	YELLOW



- NOTES:**
- ENCLOSURE SHALL HAVE A BOLT DOWN BASE WITH REMOVABLE COVER.
  - COVER AND BASE TO BE MANUFACTURED FROM 3/16" WALL POLYETHYLENE WITH UV STABILIZERS.
  - COVER SHALL LOCK TO BASE WITH AN INTEGRAL AUTO-LATCH AND PADLOCK HASP.
  - ENCLOSURE SHALL BE SUPPLIED IN COLOR OF CHOICE.

**APPROVED BY:** \_\_\_\_\_ **DATE:** \_\_\_\_\_  
**CONTRACTOR TO VERIFY DIMENSIONS PRIOR TO FABRICATION**

PROPRIETARY AND CONFIDENTIAL THE INFORMATION CONTAINED IN THIS DRAWING IS THE SOLE PROPERTY OF PIPELINE PRODUCTS. ANY REPRODUCTION IN PART OR AS A WHOLE WITHOUT THE WRITTEN PERMISSION OF PIPELINE PRODUCTS IS PROHIBITED.	PIPELINE PRODUCTS	UNLESS OTHERWISE SPECIFIED: DIMENSIONS ARE IN INCHES THRU HOLES: ±1/16" TOLERANCES: ±.125 FRACTIONAL: ±1/8" ANGULAR: MACH ±2° BEND ±2° DO NOT SCALE DRAWING	REV:	DATE:	COMMENTS:	TITLE: POLYETHYLENE AIR & VACUUM VALVE ENCLOSURE	PART NO: SEE CHART	DATE:
								QUOTE:
					DISTRICT:		DRAWN: MENERA	WEIGHT: N/A
					FOR:		QTY: SEE CHART	SCALE: NTS SHEET 1 OF 1