

MULTIPLIER
 []


MODEL 3526 POWERMAX FLANGED COUPLING ADAPTER

CENTER BARREL: Ductile Iron per ASTM A536 and AWWA C219.

END GLANDS: Ductile Iron per ASTM A536 and AWWA C219.

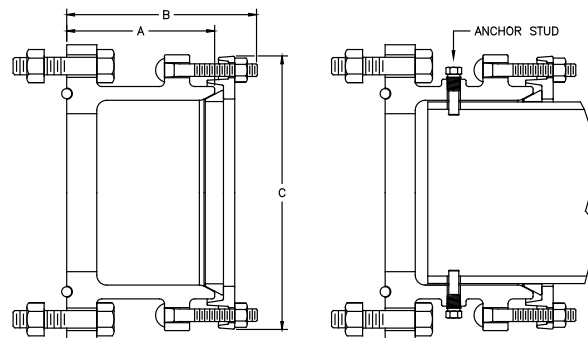
GASKET: SBR transition design from 100% new rubber to ensure performance under varying pressures with superior storage characteristics per AWWA C219. Suitable for mild acids, water, and salt media with a temperature range of -40° F to +150° F.

BOLTS & NUTS: Low Alloy Steel per ASTM A325, ASTM A563, and AWWA C219.

ANCHOR STUDS: Type 304 (18-8) Stainless Steel. (Optional joint restraint)

FINISH: Epoxy.

Pipe Size		Pipe OD Ranges		Body Length Dim - A		Overall Length Dim - B		Gland OD Dim - C		Flanged Adapter List Prices		Approx. Wt.	
in.	mm.	in.	mm.	in.	mm.	in.	mm.	in.	mm.	Std. Unit	Anchor Studs	lbs.	kgs.
4	100	4.20-5.33	107-135	6.28	16	8.8	22	9.94	25			28	12.70
6	150	6.25-7.45	159-189	6.28	16	8.8	22	12.80	31			36	16.30
8	200	8.40-9.79	214-249	5.65	14.35	8.2	21	14.44	37			45	20.45
10	250	10.45-12.12	272-308	9.92	25	12.5	32	16.85	43			72	32.72
12	300	12.50-14.38	324-365	10	25.4	12.5	32	20.58	52			91	41.35



HOW TO ORDER: Specify Model Number, Pipe Size with Letter Code. EXAMPLE: 6" Flanged Valve to 6" Cast Iron O.D. 7.10. Order 3526 - 6.

*Note: Pipe diameters less than IPS/STEEL rated up to 50 psi work pressure.