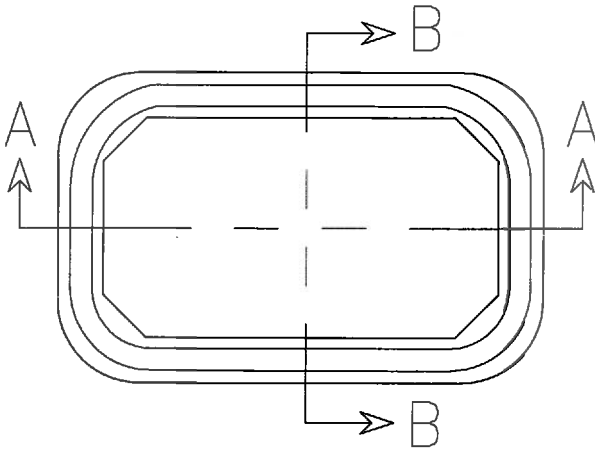
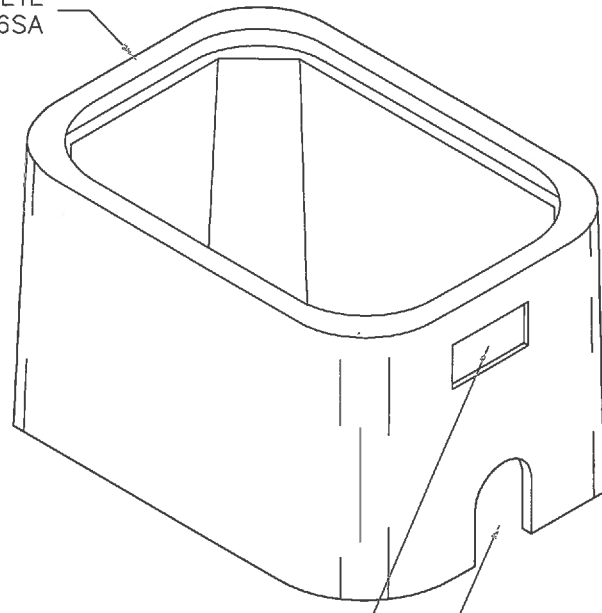


POLYMER CONCRETE  
 BOX A6000486SA

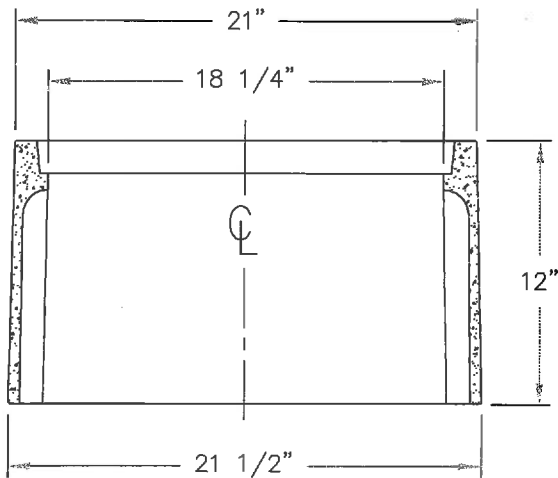


TOP VIEW

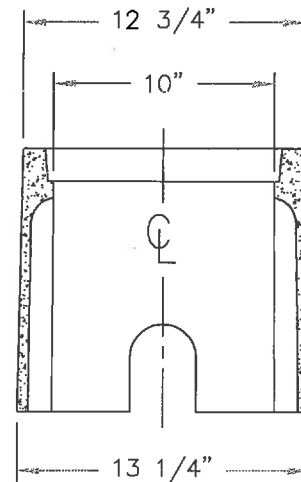


2"X4" CONCRETE  
 KEY-IN (2X)

3" X 4" MOUSE  
 HOLES (2X)



SECTION A-A



SECTION B-B

20,800# LOAD RATED

FILE #  
 A6-0486SA



13230 Saticoy Street,  
 North Hollywood, CA 91605  
 (818) 982-3600

ARMORCAST® PRODUCTS COMPANY

PART DESCRIPTION

10"X 20"X 12" RPM WATER METER BOX

CUSTOMER

WATER INDUSTRY, #4, #33

DRAWN

DATE

SCALE

MAX. LOAD

APPROV.

MATERIAL

DRAWING NUMBER

3/98

POLYMER CONCRETE

NONE

20K

A6000486SA

"THE INFORMATION IN THIS DRAWING IS CONFIDENTIAL. THE DRAWING IS NOT TO BE REPRODUCED OR ITS CONTENTS DIVULGED IN ANY WAY WHATSOEVER EXCEPT WITH THE PRIOR WRITTEN APPROVAL OF ARMORCAST PRODUCTS COMPANY. IT IS THE PROPERTY OF AND MUST BE RETURNED TO ARMORCAST PRODUCTS COMPANY, 13230 SATICOY STREET, NORTH HOLLYWOOD, CALIFORNIA 91605."