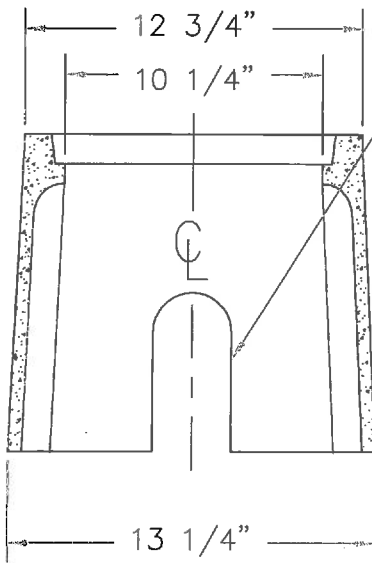
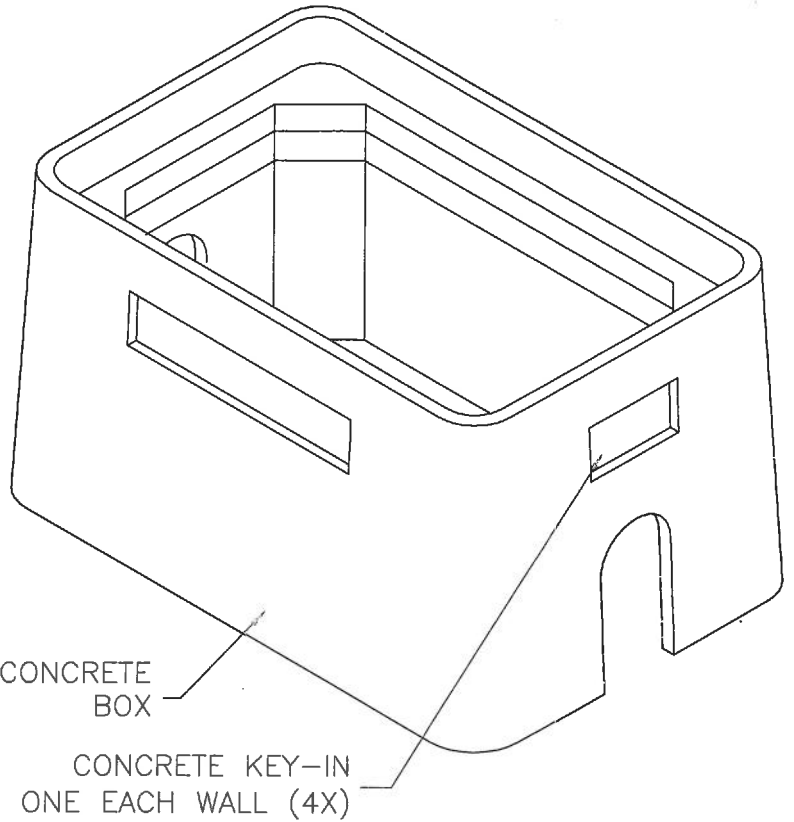
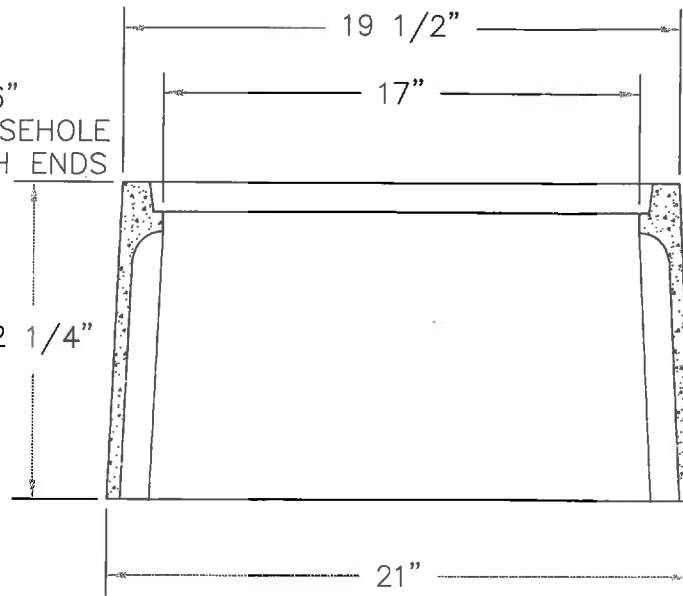


TOP VIEW



SECTION B-B



SECTION A-A

FILE #
 AC-0485SA-WATER



13230 Saticoy Street,
 North Hollywood, CA 91605
 (818) 982-3600

ARMORCAST® PRODUCTS COMPANY

PART DESCRIPTION

12" X 20" X 12" RPM WATER METER BOX

CUSTOMER

WATER INDUSTRY

DRAWN OA	DATE 7/07	SCALE NONE	MAX. LOAD 10K
APPROV. WS	DATE 7/07	MATERIAL POLYMER CONCRETE	DRAWING NUMBER A6000485SA

"THE INFORMATION IN THIS DRAWING IS CONFIDENTIAL. THE DRAWING IS NOT TO BE REPRODUCED OR ITS CONTENTS DIVULGED IN ANY WAY WHATSOEVER EXCEPT WITH THE PRIOR WRITTEN APPROVAL OF ARMORCAST PRODUCTS COMPANY. IT IS THE PROPERTY OF AND MUST BE RETURNED TO ARMORCAST PRODUCTS COMPANY, 13230 SATICOY STREET, NORTH HOLLYWOOD, CALIFORNIA 91605."