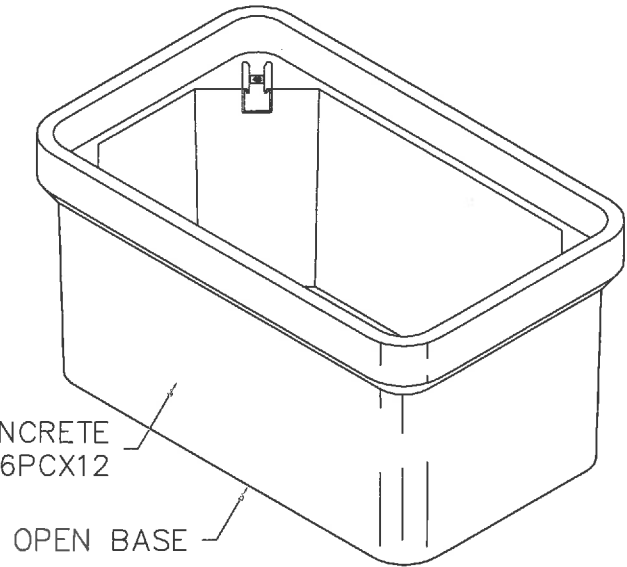
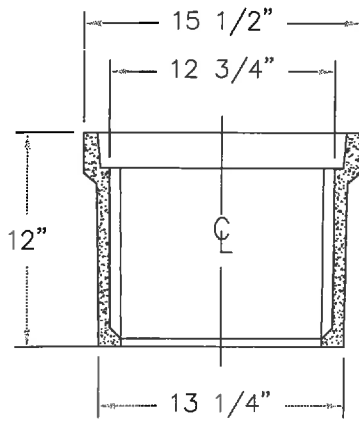


TOP VIEW

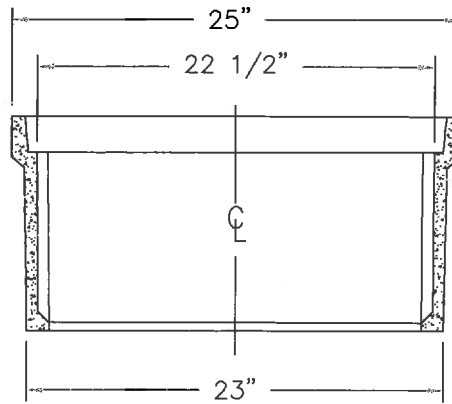


POLYMER CONCRETE
 BOX A6001946PCX12

OPEN BASE



SECTION A-A



SECTION B-B

FILE #
 A6-1946PCX12



13230 Satcoy Street,
 North Hollywood, CA 91605
 (818) 982-3600

ARMORCAST PRODUCTS COMPANY

PART DESCRIPTION

13" X 24" X 12" POLYMER CONCRETE BOX

CUSTOMER

"THE INFORMATION IN THIS DRAWING IS CONFIDENTIAL. THE DRAWING IS NOT TO BE REPRODUCED OR ITS CONTENTS DIVULGED IN ANY WAY WHATSOEVER EXCEPT WITH THE PRIOR WRITTEN APPROVAL OF ARMORCAST PRODUCTS COMPANY. IT IS THE PROPERTY OF AND MUST BE RETURNED TO ARMORCAST PRODUCTS COMPANY, 13230 SATCOY STREET, NORTH HOLLYWOOD, CALIFORNIA 91605."

DRAWN OA	DATE 7/01	SCALE NONE	MAX. LOAD
APPROV. WS	DATE 7/01	MATERIAL POLYMER CONCRETE	DRAWING NUMBER A6001946PCX12