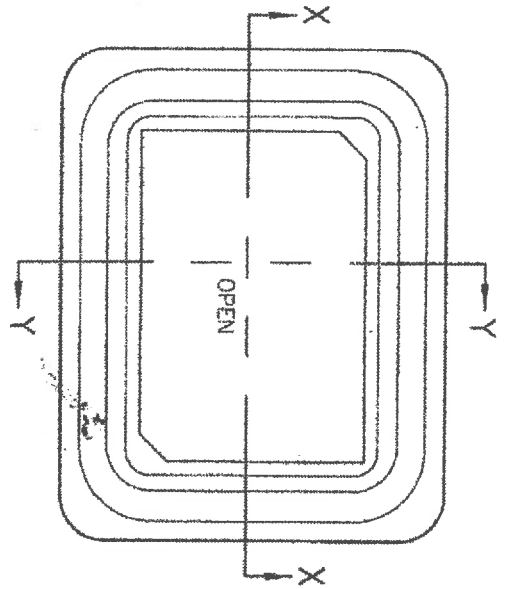
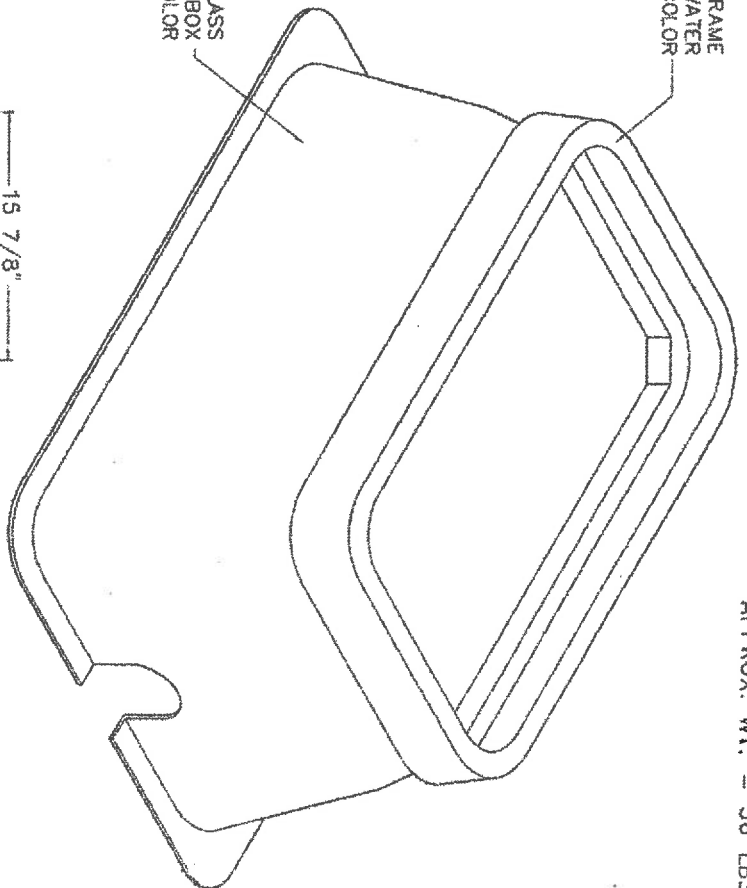


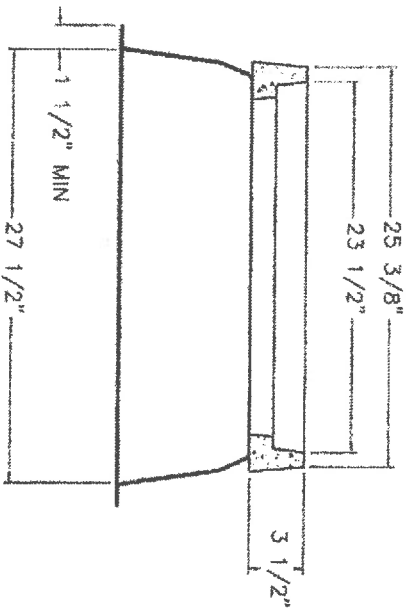
A6-1946X12-SDW



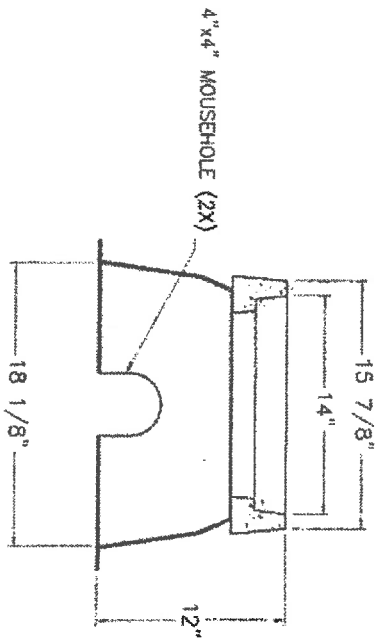
POLYMER CONCRETE FRAME  
 FOR RECLAIMED WATER  
 SHALL BE PURPLE COLOR



APPROX. WT. = 36 LBS.




SECTION X-X



SECTION X-X

RECLAIMED WATER METER BOX POLYMER CONCRETE FRAME SHALL  
 BE PANTONE 522 COLOR AFTER EXPOSURE

 <p>13250 Solihoy Street, 91804                  North Hollywood, CA 91605                  (818) 882-3800</p>		<p>THE INFORMATION IN THIS DRAWING IS THE PROPERTY OF AMMONIUM PRODUCTS COMPANY. NO PART OF THIS DRAWING IS TO BE REPRODUCED OR TRANSMITTED IN ANY FORM OR BY ANY MEANS, ELECTRONIC OR MECHANICAL, INCLUDING PHOTOCOPYING, RECORDING, OR BY ANY INFORMATION STORAGE AND RETRIEVAL SYSTEM, WITHOUT THE WRITTEN PERMISSION OF AMMONIUM PRODUCTS COMPANY. IF IT IS FOUND THAT THIS DRAWING IS BEING REPRODUCED OR TRANSMITTED IN ANY MANNER WITHOUT THE WRITTEN PERMISSION OF AMMONIUM PRODUCTS COMPANY, LEGAL ACTION WILL BE TAKEN TO ENFORCE ALL RIGHTS RESERVED.</p>	
DATE	13" X 24" X 12" FIBERGLASS WATER METER BOX	DATE	6/13
DESIGNED BY	CITY OF SAN DIEGO WATER SDW-134	CHECKED BY	6/13
DRAWN BY		DATE	6/13
SCALE		PROJECT	
NO.		REV.	
REV.		REV.	
A6001946X12		A6001946X12	