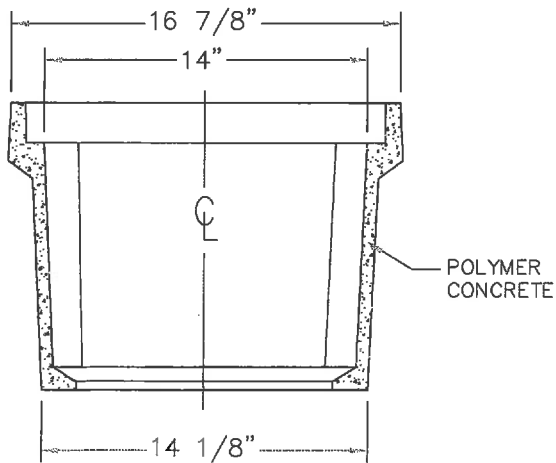
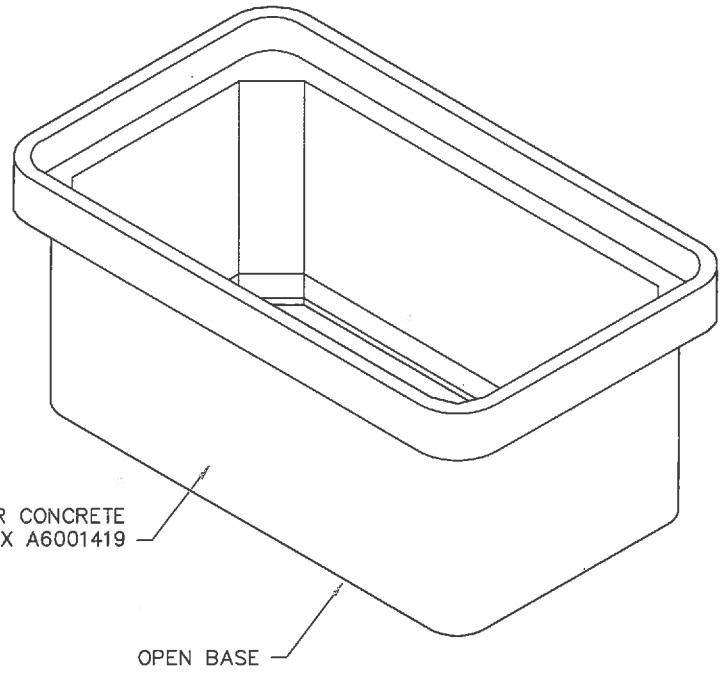
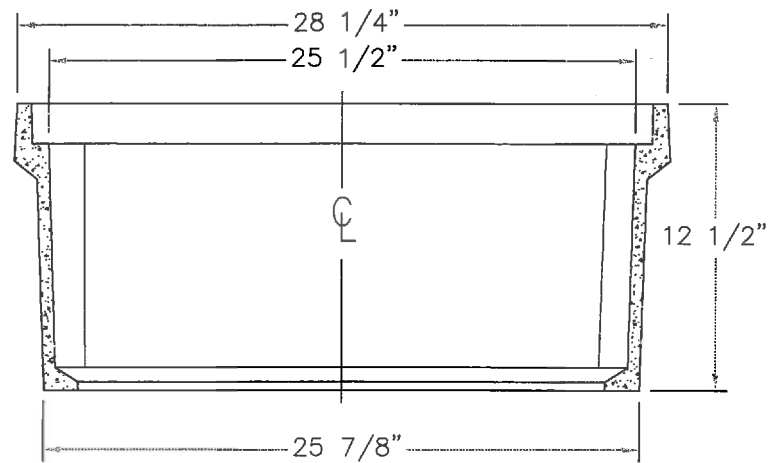


TOP VIEW



SECTION B-B



SECTION A-A

FILE #  
 AB-1419



13230 Satcoy Street,  
 North Hollywood, CA 91605  
 (818) 982-3600

**ARMORCAST** PRODUCTS COMPANY

PART DESCRIPTION

17" X 28" X 12" POLYMER CONCRETE BOX

CUSTOMER

"THE INFORMATION IN THIS DRAWING IS CONFIDENTIAL. THE DRAWING IS NOT TO BE REPRODUCED OR ITS CONTENTS DIVULGED IN ANY WAY WHATSOEVER EXCEPT WITH THE PRIOR WRITTEN APPROVAL OF ARMORCAST PRODUCTS COMPANY. IT IS THE PROPERTY OF AND MUST BE RETURNED TO ARMORCAST PRODUCTS COMPANY, 13230 SATCOY STREET, NORTH HOLLYWOOD, CALIFORNIA 91605."

DRAWN

DATE  
 3/98

SCALE  
 NONE

MAX. LOAD

APPROV.

3/98

MATERIAL  
 POLYMER CONCRETE

DRAWING NUMBER

A6001419