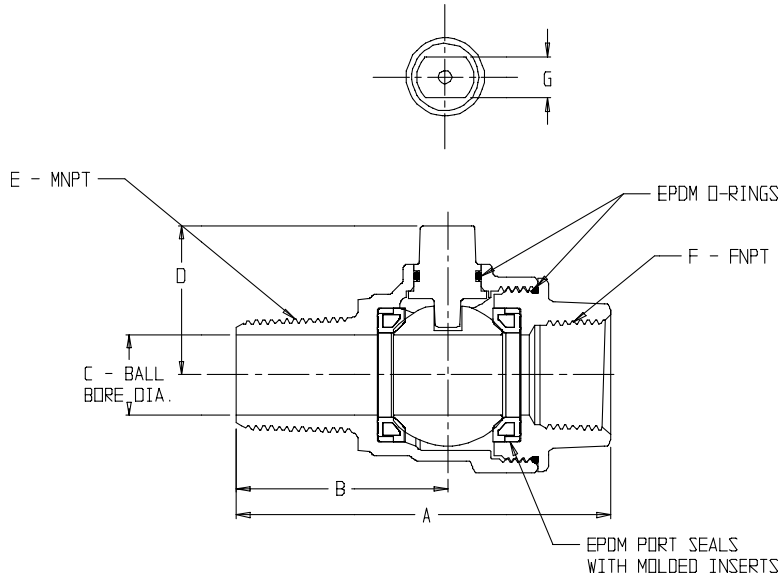


SUBMITTAL DATA SHEET

NL Ball Style Corporation Stop – 73149B

MNPT x FNPT



| MODEL | SIZE | A | B | C | D | E | F | G |
|--------|-----------|------|------|------|------|-------|-------|-----|
| 73149B | 3/4 | 3.46 | 1.96 | .75 | 1.39 | 3/4 | 3/4 | .38 |
| 73149B | 1 | 3.87 | 2.11 | 1.00 | 1.50 | 1 | 1 | .28 |
| 73149B | 1 1/2 | 5.24 | 3.05 | 1.50 | 2.15 | 1 1/2 | 1 1/2 | .42 |
| 73149B | 1 1/2 X 2 | 7.15 | 3.05 | 1.50 | 2.15 | 1 1/2 | 2 | .42 |
| 73149B | 2 | 5.70 | 3.21 | 2.00 | 2.46 | 2 | 2 | .42 |

SUBMITTAL INFORMATION

- Manufactured in compliance with ANSI/AWWA C800 (latest revision)
- Brass components in contact with potable water conform to ASTM B584, UNS C89833 (latest revision) and identified with “NL”
- Certified to NSF/ANSI 61 and NSF/ANSI 372
- Brass components not in contact with potable water conform to ASTM B62 and ASTM B584, UNS C83600 -85-5-5-5 (latest revision)
- PTFE coated brass ball rotates 360°
- Rated for 300 PSIG water pressure
- Blow out proof EPDM port seals
- End piece joint sealed with an EPDM o-ring and thread locker
- Made in the United States of America



A.Y. McDonald Mfg. Co.
P.O. Box 508
Dubuque, IA 52004-508

Toll Free: 1-800-292-2737
Fax: 1-800-832-9296
Hours: 7:00 a.m. – 5:00 p.m., CST

sales@aymcdonald.com
www.aymcdonald.com

A.Y. McDonald considers the information on this assembly drawing correct when published. Item and option availability, including specifications, are subject to change without notice.

Submitted by:

