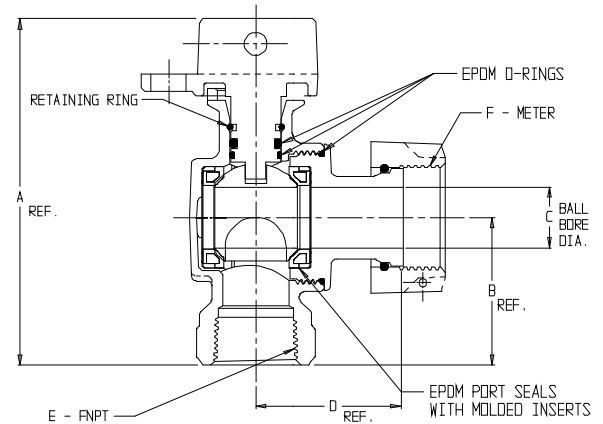
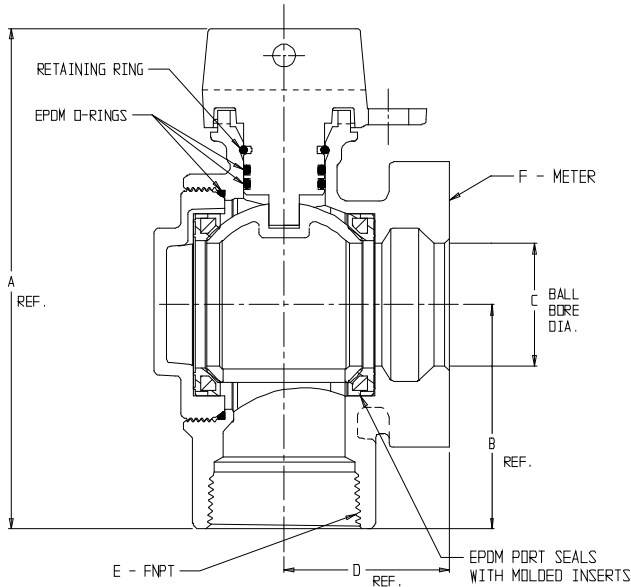


# SUBMITTAL DATA SHEET

## NL Ball Style Meter Stop – 74604B

FNPT x Meter



MODEL	SIZE	A	B	C	D	E	F
74604B	1 1/2	6.14	2.75	1.50	2.03	1 1/2	1 1/2
74604B	2	6.92	3.22	2.00	2.84	2	1 1/2 OR 2

MODEL	SIZE	A	B	C	D	E	F
74604B	3/4 X 3/4 X 5/8	4.25	1.81	.75	1.93	3/4	5/8
74604B	1 X 3/4 X 5/8	4.66	2.22	.75	1.93	1	5/8
74604B	3/4	4.25	1.81	.75	1.78	3/4	5/8 X 3/4, 3/4
74604B	1 X 3/4 X 3/4	4.66	2.22	.75	1.78	1	5/8 X 3/4, 3/4
74604B	1	4.89	2.25	1.00	2.46	1	1

### SUBMITTAL INFORMATION

- Manufactured in compliance with ANSI/AWWA C800 (latest revision)
- Brass components in contact with potable water conform to ASTM B584, UNS C89833 (latest revision) and identified with “NL”
- Certified to NSF/ANSI 61 and NSF/ANSI 372
- Brass components not in contact with potable water conform to ASTM B62 and ASTM B584, UNS C83600 -85-5-5-5 (latest revision)
- PTFE coated brass ball
- Rated for 300 PSIG water pressure
- Blow out proof EPDM port seals
- End piece joint sealed with an EPDM o-ring and thread locker



**A.Y. McDonald Mfg. Co.**  
P.O. Box 508  
Dubuque, IA 52004-508

**Toll Free: 1-800-292-2737**  
**Fax: 1-800-832-9296**  
**Hours: 7:00 a.m. – 5:00 p.m., CST**

[sales@aymcdonald.com](mailto:sales@aymcdonald.com)  
[www.aymcdonald.com](http://www.aymcdonald.com)

A.Y. McDonald considers the information on this assembly drawing correct when published. Item and option availability, including specifications, are subject to change without notice.

Submitted by:

