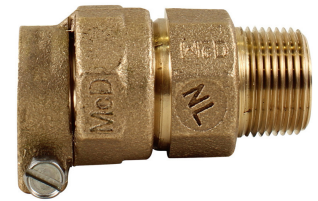


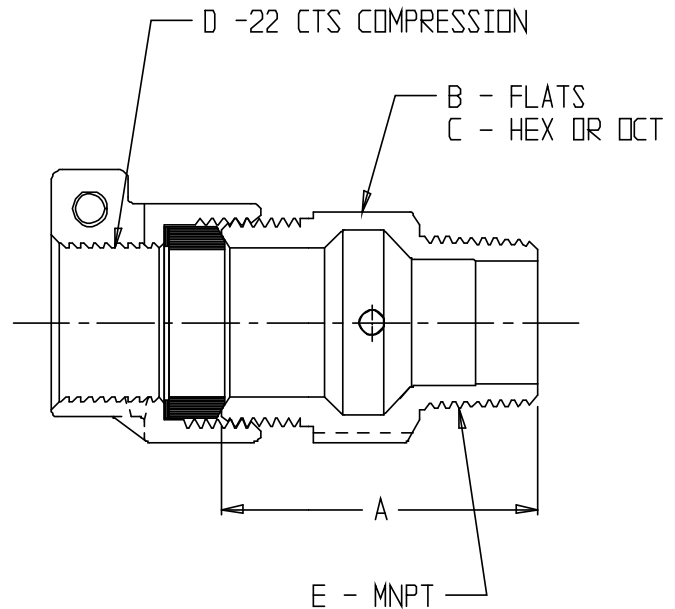
# SUBMITTAL DATA SHEET

NL Service Fitting – 74753-22

-22 CTS Compression x MNPT



MODEL	SIZE	A	B	C	D	E
74753-22	1/2	1.64	1.06	HEX	1/2	1/2
74753-22	1/2 X 3/4	1.61	1.06	HEX	1/2	3/4
74753-22	3/4	1.91	1.34	OCT	3/4	3/4
74753-22	3/4 X 1/2	2.00	1.38	HEX	3/4	1/2
74753-22	3/4 X 1	1.95	1.32	OCT	3/4	1
74753-22	1	2.44	1.38	OCT	1	1
74753-22	1 X 3/4	2.18	1.38	OCT	1	3/4
74753-22	1 1/4	2.69	1.70	OCT	1 1/4	1 1/4
74753-22	1 1/4 X 3/4	2.50	1.85	OCT	1 1/4	3/4
74753-22	1 1/4 X 1	2.76	1.85	OCT	1 1/4	1
74753-22	1 1/4 X 1 1/2	2.69	1.69	HEX	1 1/4	1 1/2
74753-22	1 1/2	2.72	2.00	OCT	1 1/2	1 1/2
74753-22	1 1/2 X 1	2.75	1.85	OCT	1 1/2	1
74753-22	1 1/2 X 1 1/4	2.65	1.85	OCT	1 1/2	1 1/4
74753-22	2 X 1 1/2	2.70	2.44	OCT	2	1 1/2
74753-22	2	3.02	2.44	OCT	2	2
74753-22	2 1/2	2.93	3.09	OCT	2 1/2	2 1/2



## SUBMITTAL INFORMATION

- Manufactured in compliance with ANSI/AWWA C800 (latest revision)
- Brass components in contact with potable water conform to ASTM B584, UNS C89833 (latest revision) and identified with “NL”
- Certified to NSF/ANSI 61 and NSF/ANSI 372
- Brass components not in contact with potable water conform to ASTM B62 and ASTM B584, UNS C83600 -85-5-5-5 (latest revision)
- Large wrench flats provided for proper installation
- Insert stiffeners required on all flexible plastic connections



A.Y. McDonald Mfg. Co.  
P.O. Box 508  
Dubuque, IA 52004-508

Toll Free: 1-800-292-2737  
Fax: 1-800-832-9296  
Hours: 7:00 a.m. – 5:00 p.m., CST

sales@aymcdonald.com  
[www.aymcdonald.com](http://www.aymcdonald.com)

A.Y. McDonald considers the information on this assembly drawing correct when published. Item and option availability, including specifications, are subject to change without notice.

Submitted by:

