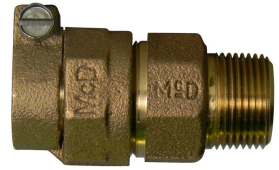


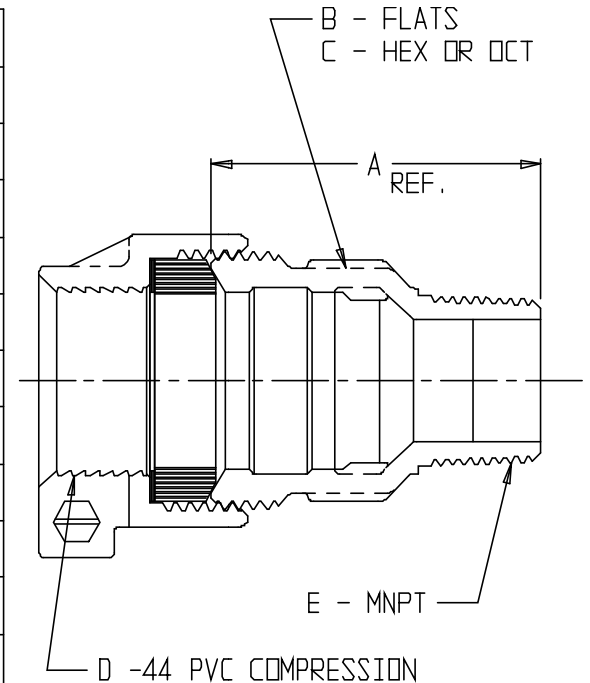
# SUBMITTAL DATA SHEET

NL Service Fitting – 74753-44

-44 PVC Compression x MNPT



MODEL	SIZE	A	B	C	D	E
74753-44	1/2	1.72	1.38	OCT	1/2	1/2
74753-44	1/2 X 3/4	1.91	1.34	OCT	1/2	3/4
74753-44	3/4	2.03	1.38	OCT	3/4	3/4
74753-44	3/4 X 1	2.44	1.38	OCT	3/4	1
74753-44	1	2.76	1.85	OCT	1	1
74753-44	1 X 3/4	2.50	1.85	OCT	1	3/4
74753-44	1 X 1 1/2	2.69	1.69	HEX	1	1 1/2
74753-44	1 1/4	2.60	2.06	OCT	1 1/4	1 1/4
74753-44	1 1/4 X 1	2.60	2.10	OCT	1 1/4	1
74753-44	1 1/4 X 1 1/2	2.72	2.00	OCT	1 1/4	1 1/2
74753-44	1 1/2	2.78	2.25	OCT	1 1/2	1 1/2
74753-44	1 1/2 X 1	2.55	2.31	OCT	1 1/2	1
74753-44	1 1/2 X 1 1/4	2.60	2.10	OCT	1 1/2	1 1/4
74753-44	2	2.96	2.75	OCT	2	2
74753-44	2 X 1	2.96	3.05	OCT	2	1



## SUBMITTAL INFORMATION

- Manufactured in compliance with ANSI/AWWA C800 (latest revision)
- Brass components in contact with potable water conform to ASTM B584, UNS C89833 (latest revision) and identified with "NL"
- Certified to NSF/ANSI 61 and NSF/ANSI 372
- Brass components not in contact with potable water conform to ASTM B62 and ASTM B584, UNS C83600 -85-5-5-5 (latest revision)
- Large wrench flats provided for proper installation



**A.Y. McDonald Mfg. Co.**  
P.O. Box 508  
Dubuque, IA 52004-508

**Toll Free: 1-800-292-2737**  
**Fax: 1-800-832-9296**  
**Hours: 7:00 a.m. – 5:00 p.m., CST**

[sales@aymcdonald.com](mailto:sales@aymcdonald.com)  
[www.aymcdonald.com](http://www.aymcdonald.com)

A.Y. McDonald considers the information on this assembly drawing correct when published. Item and option availability, including specifications, are subject to change without notice.

Submitted by:

