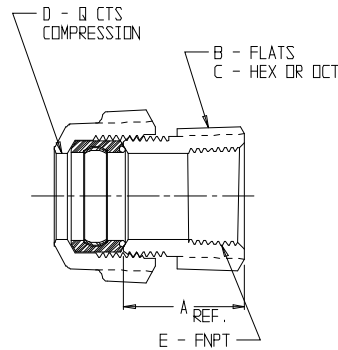
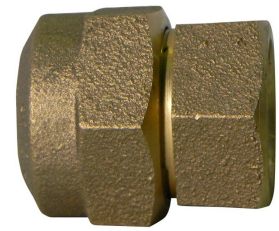


SUBMITTAL DATA SHEET

NL Service Fitting – 74754Q

Q CTS Compression x FNPT



MODEL	SIZE	A	B	C	D	E
74754Q	3/4	1.27	1.31	HEX	3/4	3/4
74754Q	3/4 X 1	1.64	1.52	OCT	3/4	1
74754Q	1	1.40	1.54	OCT	1	1
74754Q	1 X 3/4	1.40	1.37	OCT	1	3/4
74754Q	1 X 1 1/4	1.75	1.88	OCT	1	1 1/4
74754Q	1 X 1 1/2	2.66	1.85	OCT	1	1 1/2
74754Q	1 1/4	2.17	2.00	OCT	1 1/4	1 1/4
74754Q	1 1/4 X 3/4	2.08	1.69	HEX	1 1/4	3/4
74754Q	1 1/4 X 1	1.75	1.69	HEX	1 1/4	1
74754Q	1 1/2	2.00	2.31	OCT	1 1/2	1 1/2
74754Q	1 1/2 X 1	2.64	1.85	OCT	1 1/2	1
74754Q	1 1/2 X 1 1/4	2.31	2.00	OCT	1 1/2	1 1/4
74754Q	2	2.04	2.81	OCT	2	2

SUBMITTAL INFORMATION

- Manufactured in compliance with ANSI/AWWA C800 (latest revision)
- Brass components in contact with potable water conform to ASTM B584, UNS C89833 (latest revision) and identified with “NL”
- Certified to NSF/ANSI 61 and NSF/ANSI 372
- Brass components not in contact with potable water conform to ASTM B62 and ASTM B584, UNS C83600 -85-5-5-5 (latest revision)
- Large wrench flats provided for proper installation
- Insert stiffeners required on all flexible plastic connections



A.Y. McDonald Mfg. Co.
P.O. Box 508
Dubuque, IA 52004-508

Toll Free: 1-800-292-2737

Fax: 1-800-832-9296

Hours: 7:00 a.m. – 5:00 p.m., CST

sales@aymcdonald.com

www.aymcdonald.com

A.Y. McDonald considers the information on this assembly drawing correct when published. Item and option availability, including specifications, are subject to change without notice.

Submitted by:

