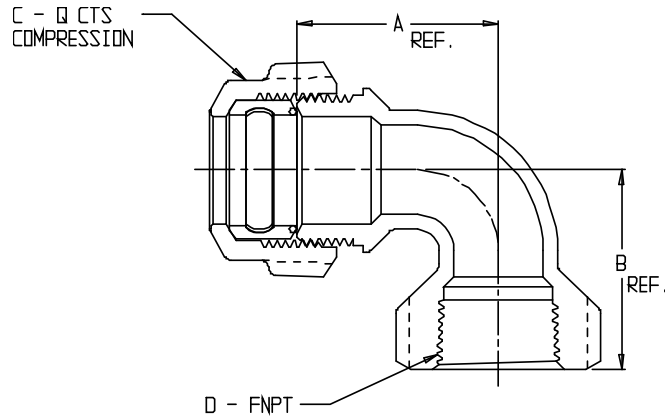


# SUBMITTAL DATA SHEET

NL Service Fitting – 74779Q

Q CTS Compression x FNPT



MODEL	SIZE	A	B	C	D
74779Q	3/4	1.70	1.68	3/4	3/4
74779Q	3/4 X 1	1.70	1.92	3/4	1
74779Q	3/4 X 1 1/4	3.00	2.32	3/4	1 1/4
74779Q	1	1.96	2.16	1	1
74779Q	1 X 3/4	1.88	1.88	1	3/4
74779Q	1 X 1 1/4	1.96	2.22	1	1 1/4
74779Q	1 1/4 X 1	2.49	2.32	1 1/4	1
74779Q	1 1/2	2.91	2.95	1 1/2	1 1/2
74779Q	2	3.10	3.22	2	2

## SUBMITTAL INFORMATION

- Manufactured in compliance with ANSI/AWWA C800 (latest revision)
- Brass components in contact with potable water conform to ASTM B584, UNS C89833 (latest revision) and identified with “NL”
- Certified to NSF/ANSI 61 and NSF/ANSI 372
- Brass components not in contact with potable water conform to ASTM B62 and ASTM B584, UNS C83600 -85-5-5-5 (latest revision)
- Large wrench flats provided for proper installation
- Insert stiffeners required on all flexible plastic connections



**A.Y. McDonald Mfg. Co.**  
P.O. Box 508  
Dubuque, IA 52004-508

**Toll Free: 1-800-292-2737**  
**Fax: 1-800-832-9296**  
**Hours: 7:00 a.m. – 5:00 p.m., CST**

[sales@aymcdonald.com](mailto:sales@aymcdonald.com)  
[www.aymcdonald.com](http://www.aymcdonald.com)

A.Y. McDonald considers the information on this assembly drawing correct when published. Item and option availability, including specifications, are subject to change without notice.

Submitted by:

