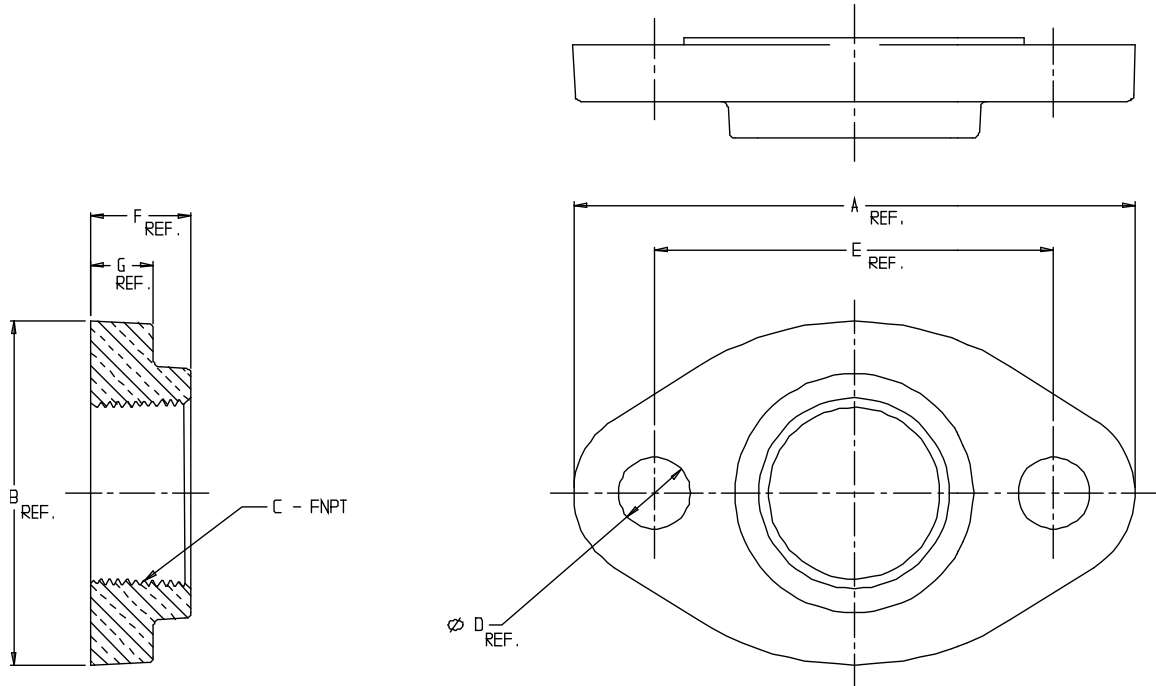


# SUBMITTAL DATA SHEET

## NL Meter Coupling – 7610F

Oval Flange x FNPT



MODEL	SIZE	A	B	C	D	E	F	G
7610F	1 1/2 X 1	5.62	3.44	1	.72	4.00	1.05	.48
7610F	1 1/2	5.62	3.44	1 1/2	.72	4.00	1.00	.63
7610F	1 1/2 X .81	5.62	3.44	1 1/2	.81	4.00	1.00	.63
7610F	2	6.00	3.88	2	.81	4.50	1.20	.81

### SUBMITTAL INFORMATION

- Manufactured in compliance with ANSI/AWWA C800 (latest revision)
- Brass components in contact with potable water conform to ASTM B584, UNS C89833 (latest revision) and identified with “NL”
- Certified to NSF/ANSI 61 and NSF/ANSI 372
- Brass components not in contact with potable water conform to ASTM B62 and ASTM B584, UNS C83600 -85-5-5-5 (latest revision)
- Large wrench area provided for proper installation



**A.Y. McDonald Mfg. Co.**  
P.O. Box 508  
Dubuque, IA 52004-508

**Toll Free: 1-800-292-2737**  
**Fax: 1-800-832-9296**  
**Hours: 7:00 a.m. – 5:00 p.m., CST**

sales@aymcdonald.com  
[www.aymcdonald.com](http://www.aymcdonald.com)

A.Y. McDonald considers the information on this assembly drawing correct when published. Item and option availability, including specifications, are subject to change without notice.

Submitted by:

