



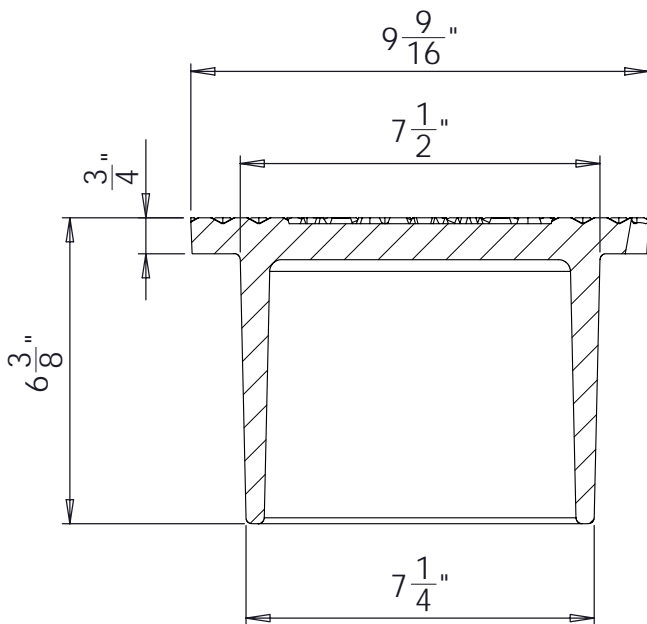
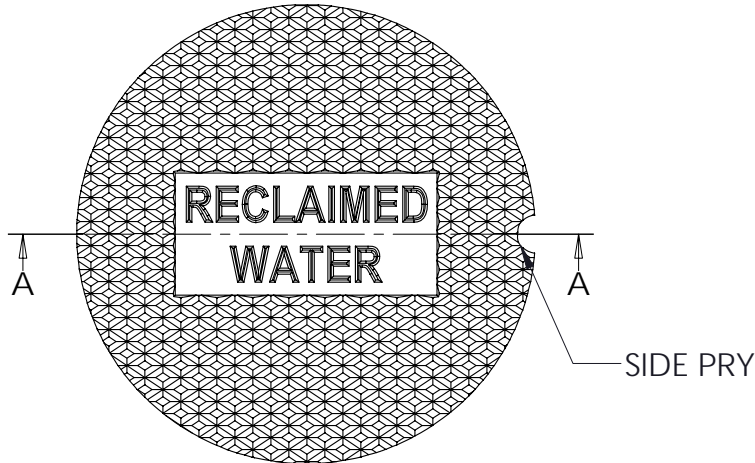
South Bay Foundry

WWW.SOUTHBAYFOUNDRY.COM

PHONE: (619) 956-2780 FAX: (619) 956-2788

8IN GATE CAP

RECLAIMED WATER



SECTION A-A

WEIGHT
22 LB



B6174

GENERAL INFORMATION

- *MATERIAL: GREY CAST IRON ASTM A48 CLASS 30B
- *FINISH: DIPPED IN BLACK BITUMINOUS PAINT
- *MEETS H-20 WHEEL LOAD REQUIREMENTS

APPROVED

BY:

TITLE:

AGENCY:

DATE:

12/4/2012