

SOUTH BAY FOUNDRY

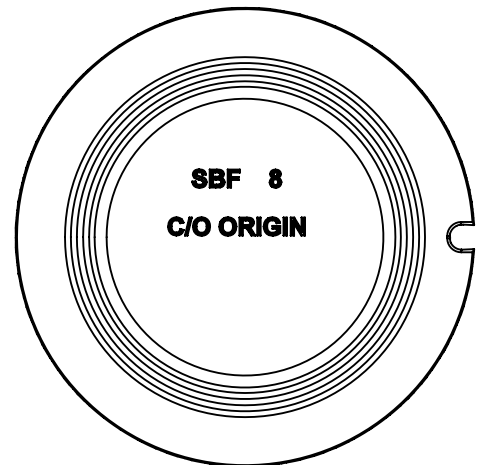
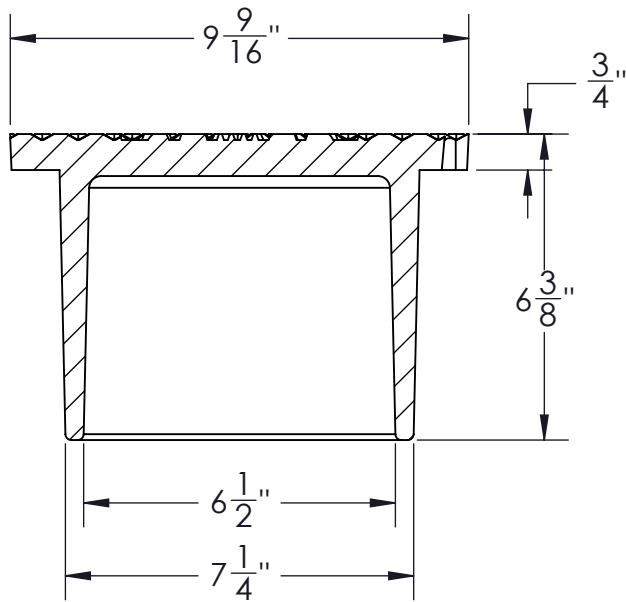
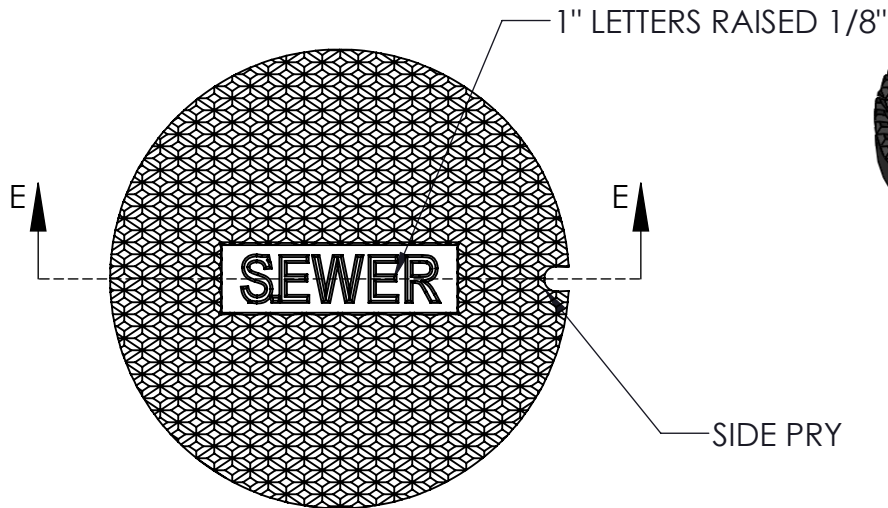
WWW.SOUTHBAYFOUNDRY.COM

PHONE: (619) 956-2780

FAX: (619) 956-2788

8" GATE CAP

SEWER



SECTION E-E
SCALE 1 : 4

WEIGHT
22 LB

GENERAL INFORMATION

- *MATERIAL:
- *BEARING SURFACES MACHINED FOR CLOSE, QUIET FIT
- *FINISH:
- *LOADING REQUIREMENTS

PROPRIETARY AND CONFIDENTIAL

THE INFORMATION CONTAINED IN THIS DRAWING IS THE SOLE PROPERTY OF SOUTH BAY FOUNDRY INC. ANY REPRODUCTION IN PART OR AS A WHOLE WITHOUT THE WRITTEN PERMISSION OF SOUTH BAY FOUNDRY INC. IS PROHIBITED.

ID#: B6122

APPROVED:

DATE:

AGENCY
GENERIC