



# South Bay Foundry

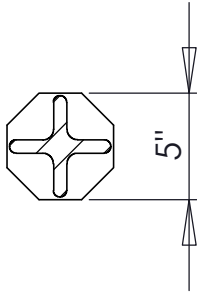
WWW.SOUTHBAYFOUNDRY.COM

PHONE: (619) 956-2780 FAX: (619) 956-2788

## WATER WORKS-2

BURY EL  
FLANGE  
DUCTILE IRON

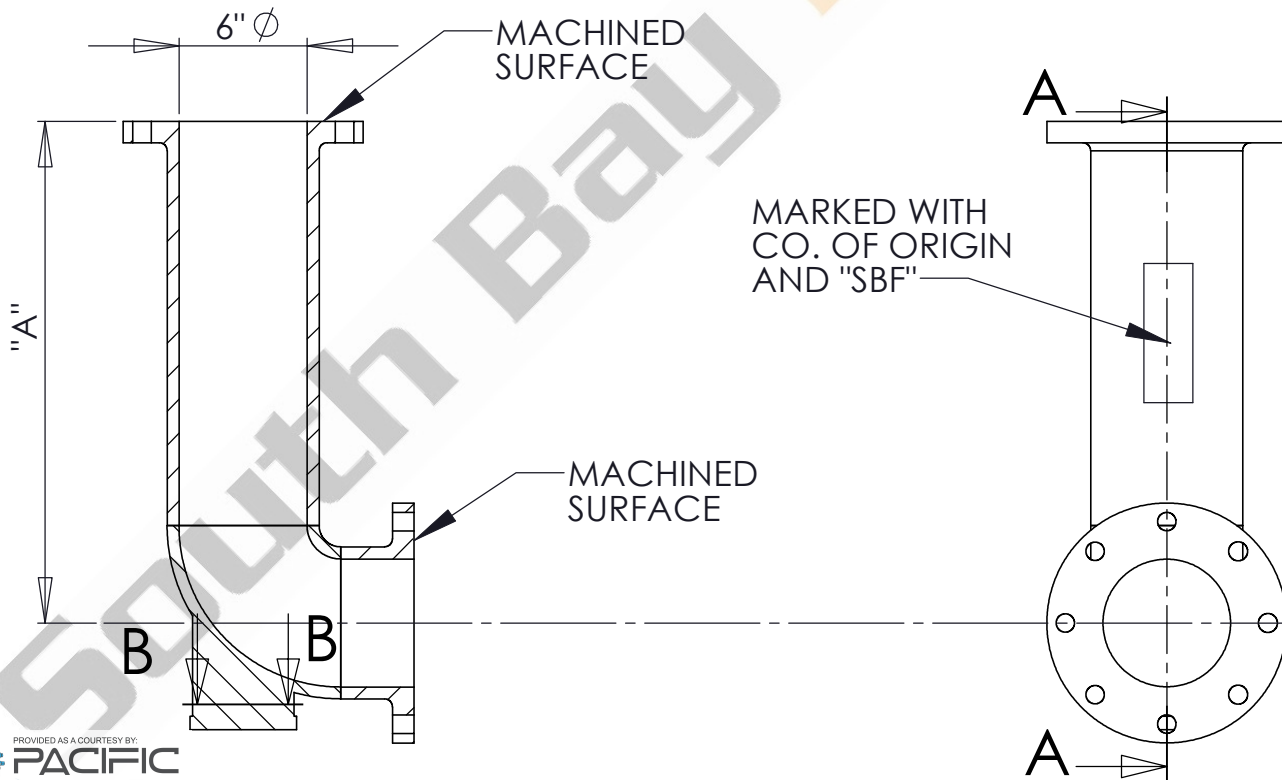
### SECTION B-B



6 x "A"	WT (LBS)
6 X 30	115
6 X 36	130
6 X 42	150
6 X 48	162



### SECTION A-A



#### GENERAL INFORMATION

- \*MATERIAL IS MADE IN ACCORDANCE WITH AWWA STANDARDS C-153
- \*CEMENT LINED UNLESS OTHERWISE REQUIRED
- \*CEMENT LINING CONFORMS TO AWWA SPECIFICATION C-104
- \*TOP FLANGE AVAILABLE DRILLED: 6 HOLE, 7/8"; 6 HOLE, 3/4"; 8 HOLE, 7/8"; OTHER AS REQUIRED

APPROVED

BY:

TITLE:

AGENCY:

DATE: