



# South Bay Foundry

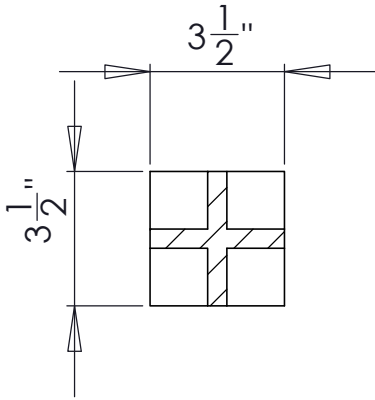
WWW.SOUTHBAYFOUNDRY.COM

PHONE: (619) 956-2780 FAX: (619) 956-2788

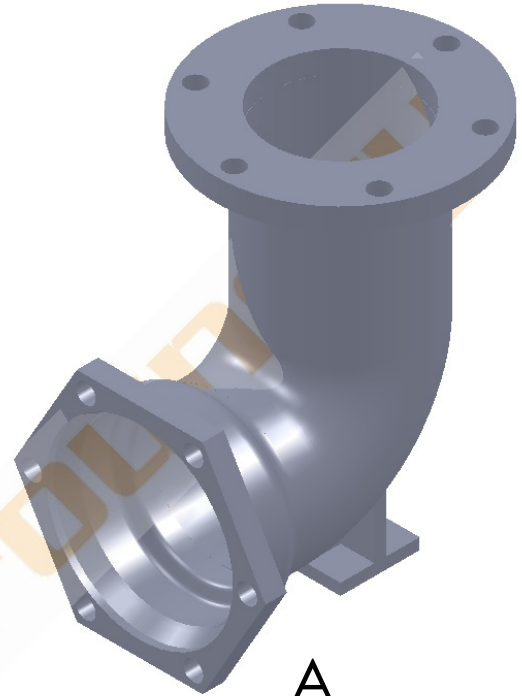
## WATER WORKS - 2

BURY EL  
MECHANICAL JOINT  
DUCTILE IRON

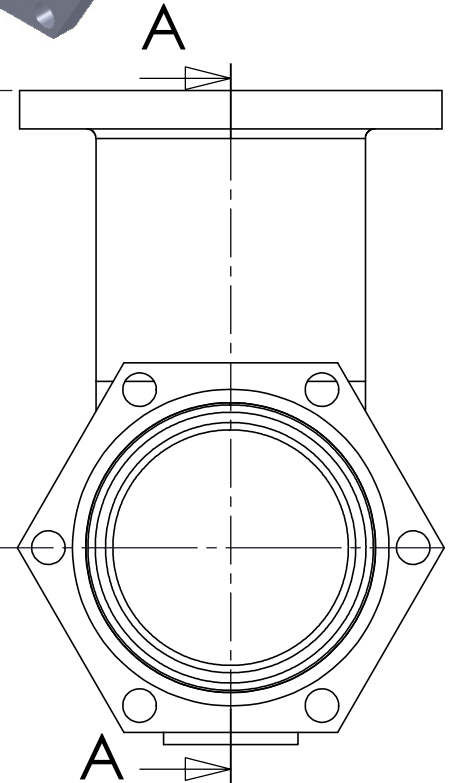
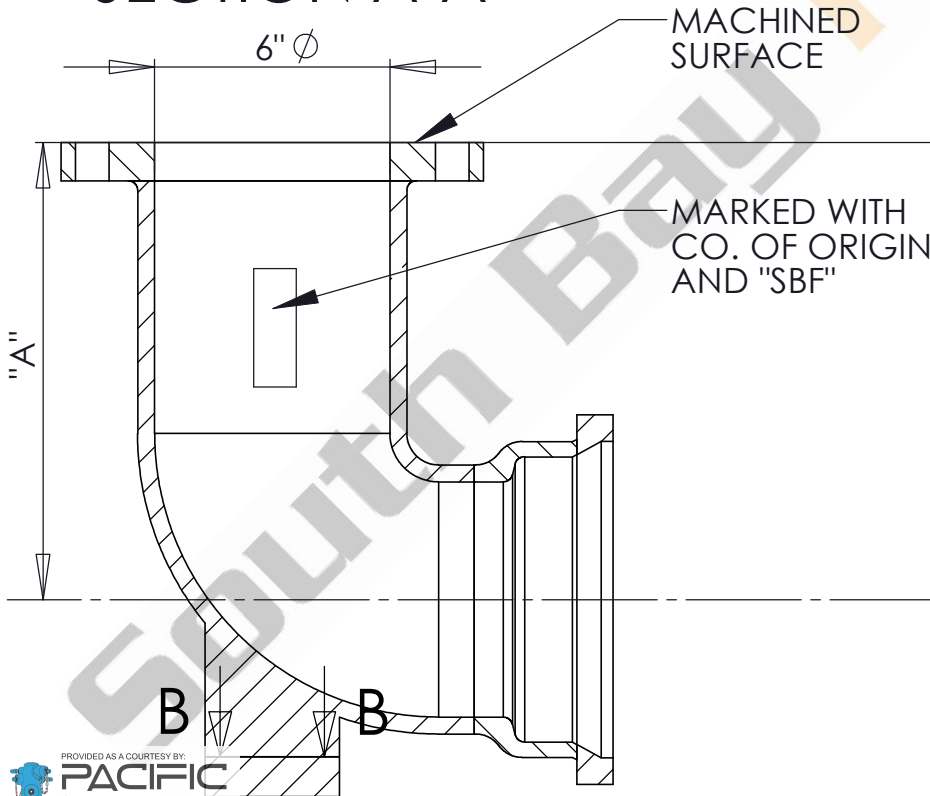
### SECTION B-B



| 6 X "A" WT (LBS) |     |
|------------------|-----|
| 6 X 24           | 98  |
| 6 X 30           | 105 |
| 6 X 36           | 117 |
| 6 X 42           | 134 |
| 6 X 48           | 151 |
| 6 X 54           | 170 |



### SECTION A-A



#### GENERAL INFORMATION

- \*MATERIAL IS MADE IN ACCORDANCE WITH AWWA STANDARDS C-153
- \*CEMENT LINED UNLESS OTHERWISE REQUIRED
- \*CEMENT LINING CONFORMS TO AWWA SPECIFICATION C-104
- \*FLANGES AVAILABLE DRILLED: 6 HOLE, 7/8"; 6 HOLE, 3/4"; 8 HOLE, 7/8"; OTHER AS REQUIRED

APPROVED

BY:

TITLE:

AGENCY:

DATE: