



South Bay Foundry

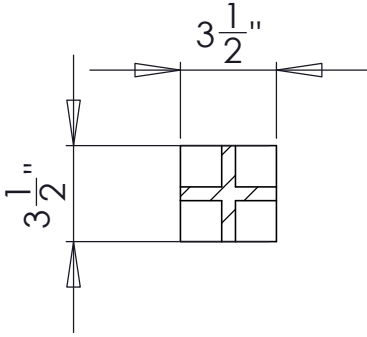
WWW.SOUTHBAYFOUNDRY.COM

PHONE: (619) 956-2780 FAX: (619) 956-2788

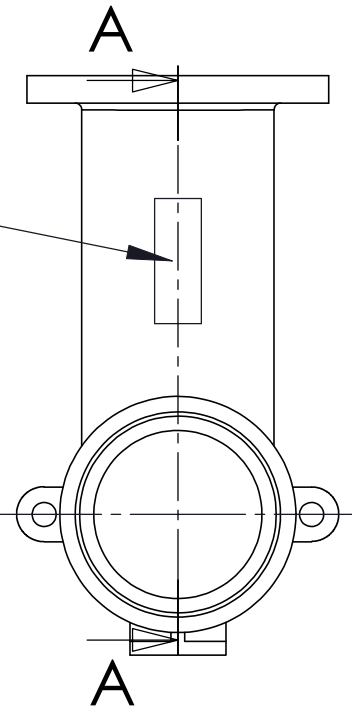
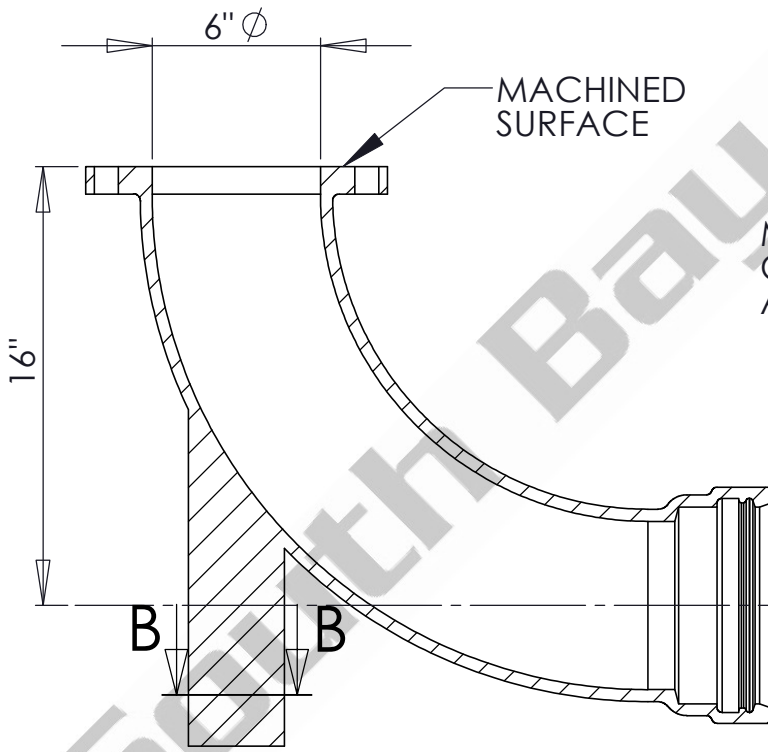
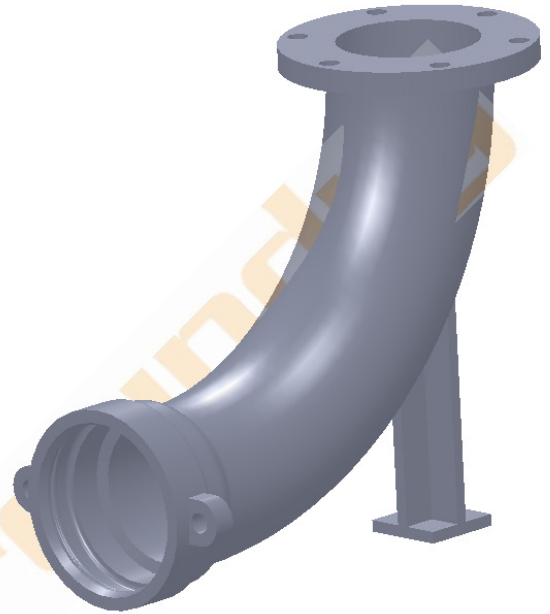
WATER WORKS - 2

BURY EL
P.O. 6 X 16 LR
DUCTILE IRON

SECTION B-B



WT (LBS)
125



SECTION A-A



GENERAL INFORMATION

- *MATERIAL IS MADE IN ACCORDANCE WITH AWWA STANDARDS C-153
- *CEMENT LINED UNLESS OTHERWISE REQUIRED
- *CEMENT LINING CONFORMS TO AWWA SPECIFICATION C-104
- *FLANGES AVAILABLE DRILLED: 6 HOLE, 7/8"; 6 HOLE, 3/4"; 8 HOLE, 7/8"; OTHER AS REQUIRED

APPROVED

BY:

TITLE:

AGENCY:

DATE:

