



**South Bay Foundry**

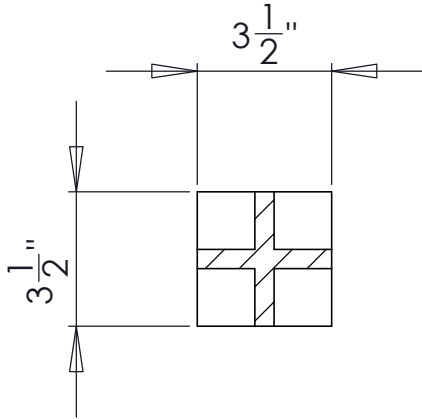
WWW.SOUTHBAYFOUNDRY.COM

PHONE: (619) 956-2780 FAX: (619) 956-2788

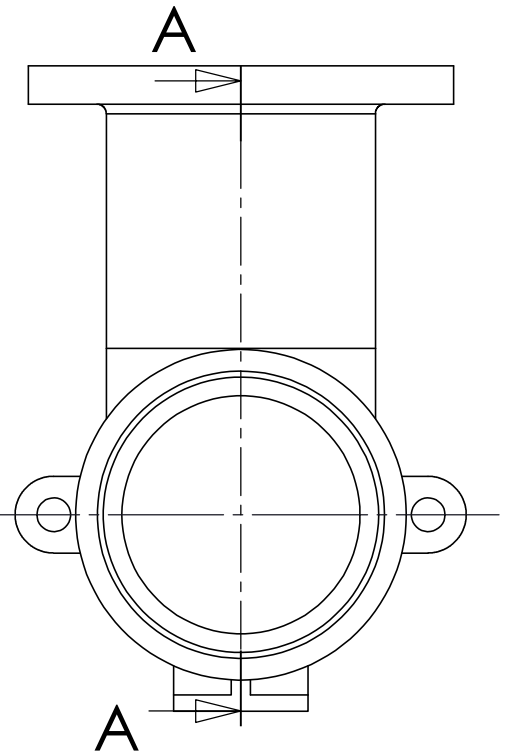
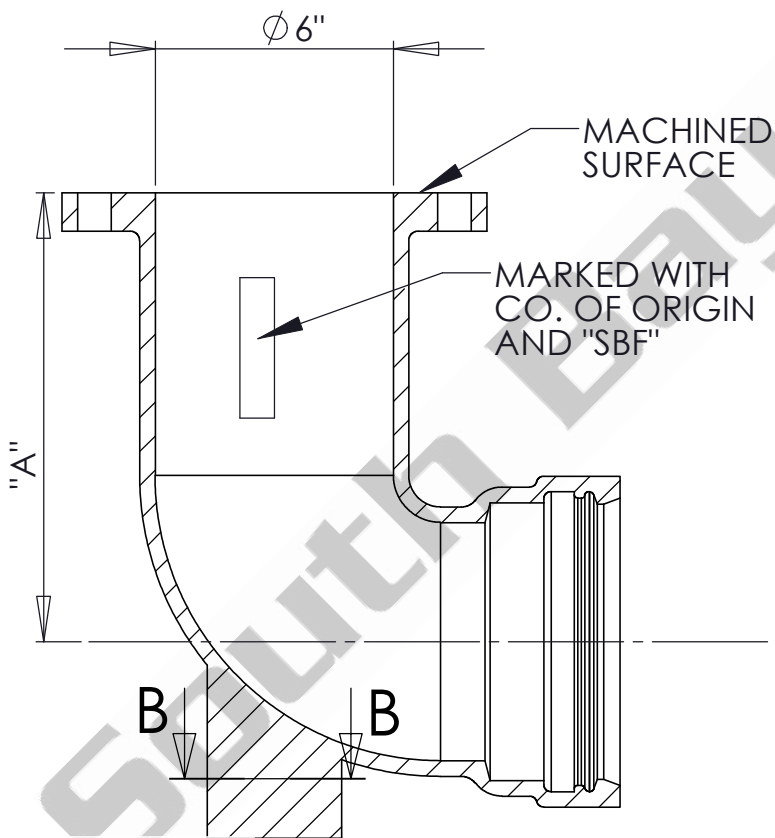
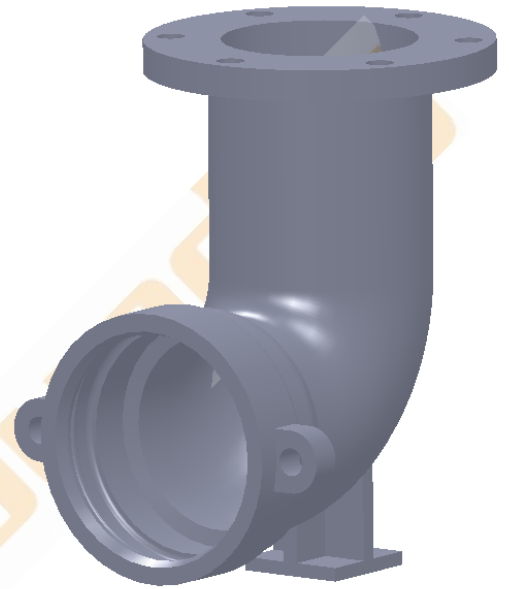
**WATER WORKS - 2**

BURY EL  
PUSH ON  
DUCTILE IRON

**SECTION B-B**



6 X "A"	WT (LBS)
6 X 24	97
6 X 30	106
6 X 36	116
6 X 42	131
6 X 48	148
6 X 54	170



**SECTION A-A**

**GENERAL INFORMATION**

- \*MATERIAL IS MADE IN ACCORDANCE WITH AWWA STANDARDS C-153
- \*CEMENT LINED UNLESS OTHERWISE REQUIRED
- \*CEMENT LINING CONFORMS TO AWWA SPECIFICATION C-104
- \*FLANGES AVAILABLE DRILLED: 6 HOLE, 7/8"; 6 HOLE, 3/4"; 8 HOLE, 7/8"; OTHER AS REQUIRED

APPROVED

BY:

TITLE:

AGENCY:

DATE: