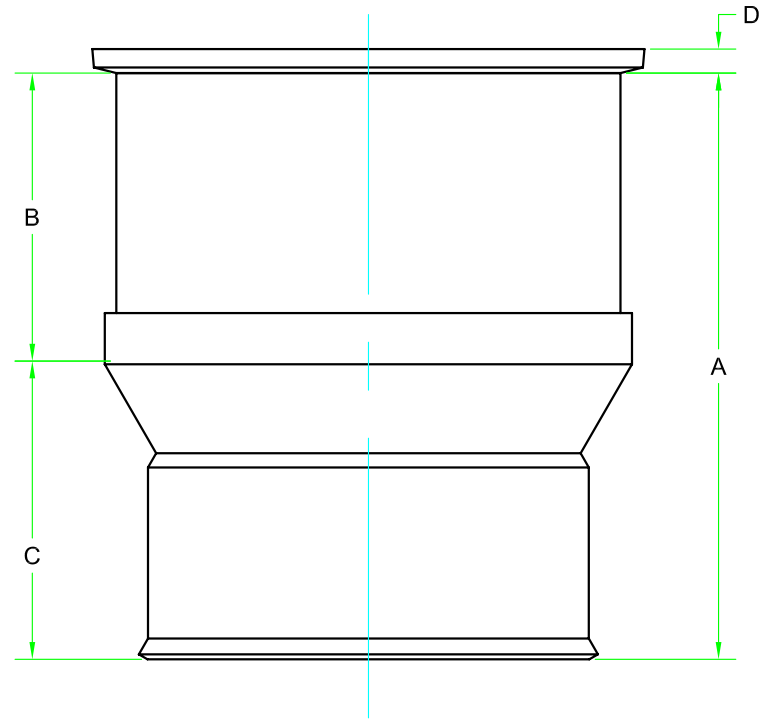


C DIMENSION MAY VARY
 DEPENDING ON PIPE
 CONNECTION TYPE. VARIANCE
 WILL BE ADJUSTED USING THE B
 DIMENSION ALLOWING FOR A
 CONSTANT OVERALL SIZE A.

Size	A	B	C(min.)	D(min.)
8 x 6	19.00	11.00	8.00	0.50
10 x 8	20.00	11.00	9.00	0.50
12 x 10	22.25	11.00	11.25	0.50
15 x 12	23.50	11.00	12.50	0.50
18 x 15	26.00	11.00	15.00	0.50
21 x 18	27.50	11.00	16.50	0.75
24 x 21	28.50	11.00	17.50	0.75
27 x 24	26.50	11.00	15.50	0.75
30 x 27	27.50	11.00	16.50	1.00



The Harrington Corporation

P.O. Box 10335
 Lynchburg, VA 24501
 (434) 845-7094

TYPICAL INLINE DRAIN - TYPE-C

DWG NO.	00-000	REV	A
---------	---------------	-----	----------

SCALE	DNS	10-29-02
-------	------------	-----------------

DWN BY:	SAG	CKD BY:	SAG
---------	------------	---------	------------

SIZE	A	SHEET	1 OF 1
------	----------	-------	---------------

A	RELEASED	10/29/2002	griffsa
#	DESCRIPTION	DATE	APPROVED

IMPORTANT:
 This drawing is the property of THE HARRINGTON CORPORATION and contains confidential information which is not to be used in whole or in part for any purpose other than for which it was specifically furnished. This drawing is to be returned to THE HARRINGTON CORPORATION upon demand.

TOLERANCES
 $X = \pm 1/16"$
 ANGLES $\pm 2^\circ$