



South Bay Foundry

WWW.SOUTHBAYFOUNDRY.COM

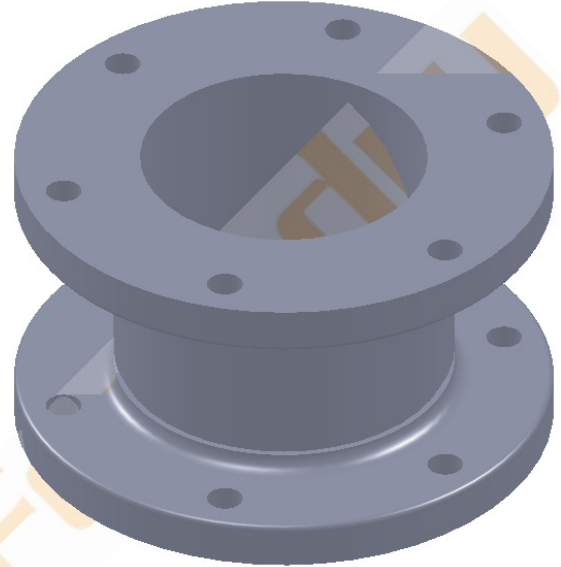
PHONE: (619) 956-2780 FAX: (619) 956-2788

WATER WORKS-2

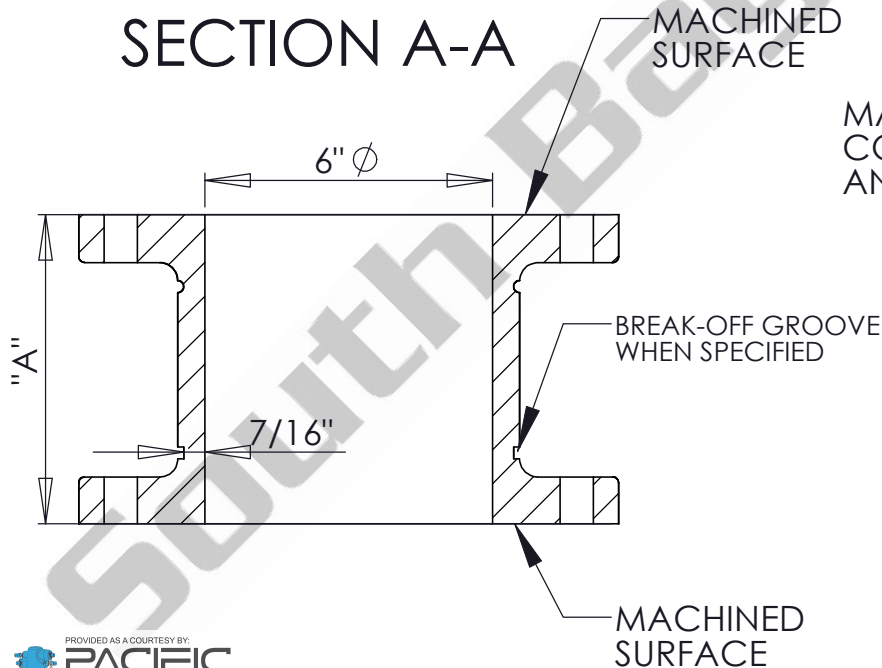
FIRE HYDRANT EXTENSION

CAST IRON

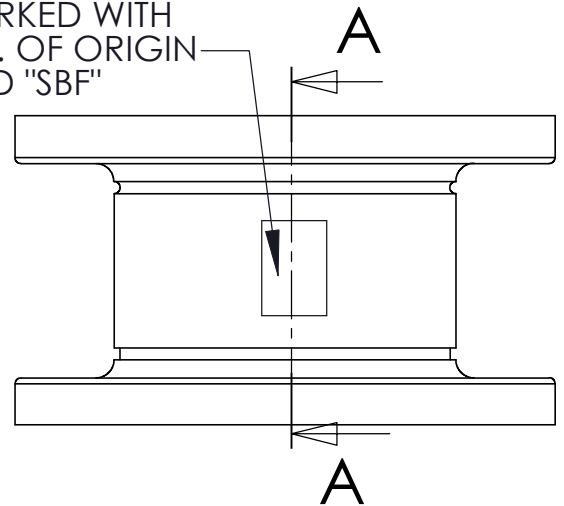
SIZE x "A"	WEIGHT
6 X 4	45 LB
6 X 6	50 LB
6 X 8	58 LB
6 X 10	64 LB
6 X 12	70 LB
6 X 14	74 LB
6 X 16	82 LB
6 X 18	88 LB
6 X 20	94 LB
6 X 22	101 LB
6 X 24	106 LB
6 X 26	110 LB
6 X 28	118 LB
6 X 30	124 LB
6 X 32	132 LB
6 X 36	142 LB



SECTION A-A



MARKED WITH CO. OF ORIGIN AND "SBF"



GENERAL INFORMATION

- *MATERIALS MADE IN ACCORDANCE WITH AWWA STANDARDS C110
- *CEMENT LINED UNLESS OTHERWISE REQUIRED
- *CEMENT LINING CONFORMS TO AWWA SPECIFICATION C104
- *FLANGES AVAILABLE DRILLED: 6 HOLE, 7/8"; 6 HOLE, 3/4"; 8 HOLE, 7/8"; OTHER AS REQUIRED

APPROVED

BY:

TITLE:

AGENCY:

DATE: