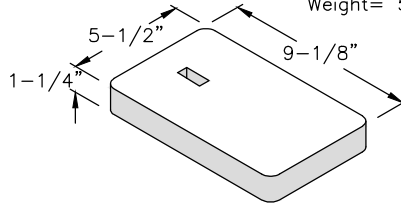
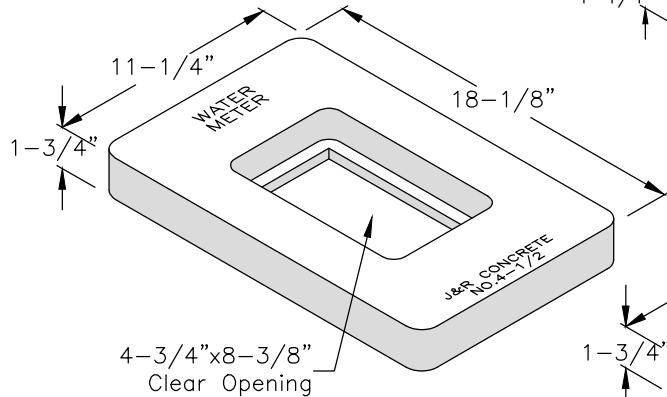


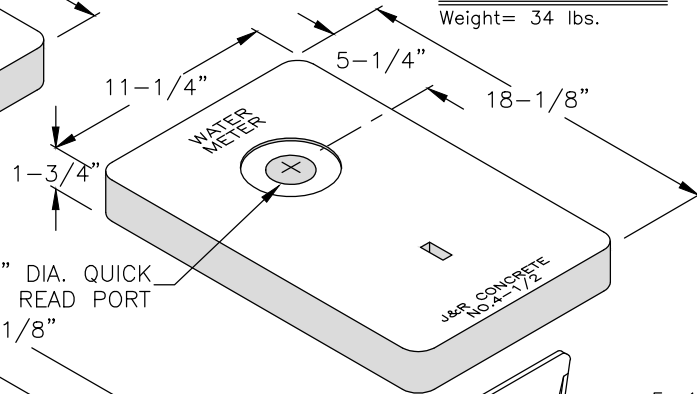
CONCRETE READING LID
Weight= 5 lbs.



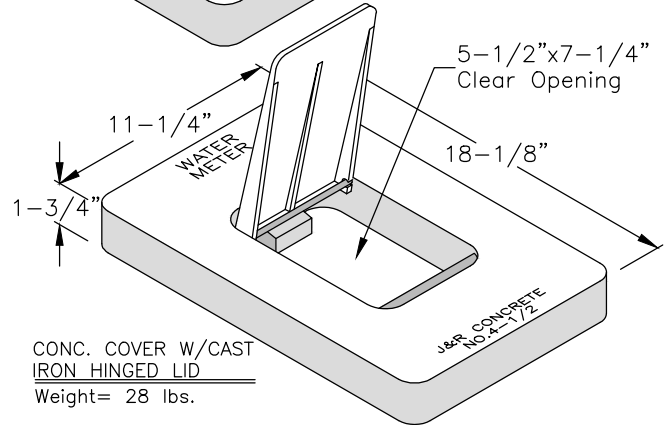
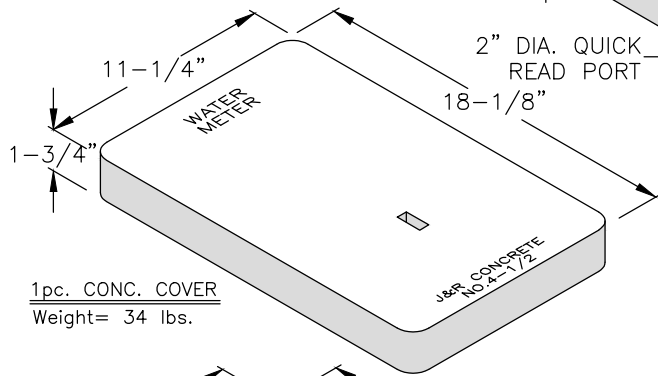
2pc. CONC. COVER
Weight= 25 lbs.



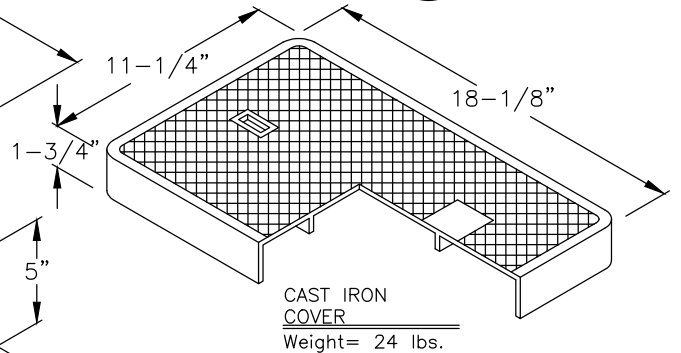
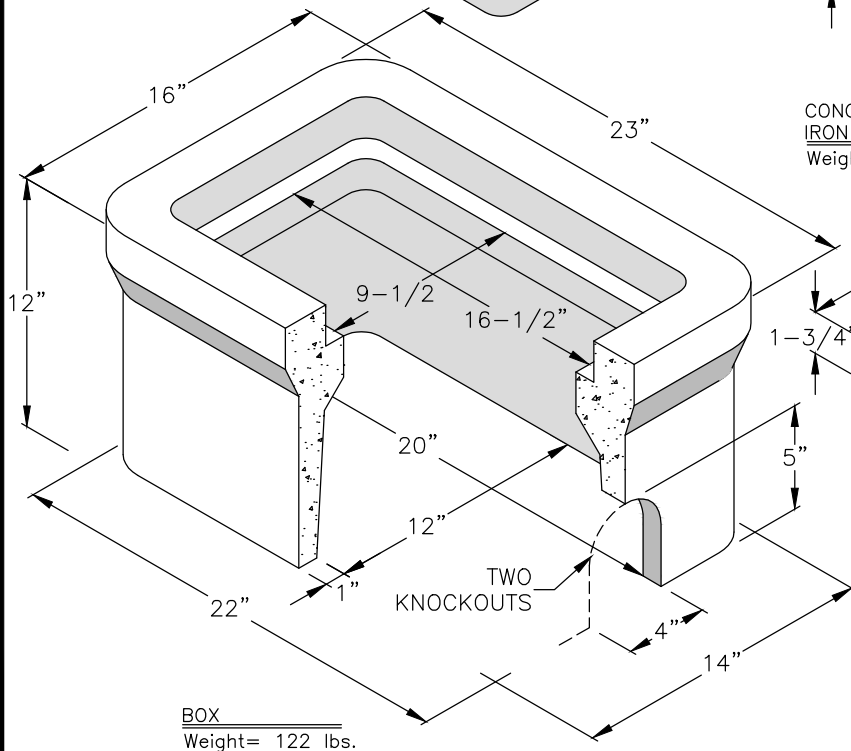
1pc. CONC. COVER W/ QUICK READ PORT
Weight= 34 lbs.



1pc. CONC. COVER
Weight= 34 lbs.



CONC. COVER W/CAST IRON HINGED LID
Weight= 28 lbs.



CAST IRON COVER
Weight= 24 lbs.

No. W4-1/2 Series Meter Box Designed for 1" Meters

J&R CONCRETE PRODUCTS

440 W. MARKHAM ST.
PERRIS, CA. 92571
PHONE:(951) 943-5855 FAX:(951) 940-9207



PROVIDED AS A COURTESY BY:
PACIFIC
PIPELINE SUPPLY