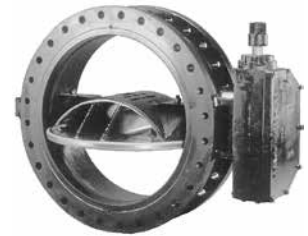


Rev. 9-09

- Catalog number--
5227-6 Flanged (Class 250) Ends; **ANSI 250lb Drilling B16.1**
Sizes--3", 4", 6", 8", 10", 12", 14", 16", 18", 20", 24", 30", 36", 42", 48"*
- 250psig (1723kPa) maximum working pressure
- Meets or exceeds all applicable requirements of ANSI/AWWA C504 Standard Class 250B; NSF 61 certified
- Body - Ductile Iron ASTM A-536 (65-45-12)
- Buried service valves: I.D. and O.D. coated
- Above ground valves (ordered with either a handwheel, position indicator on the actuator, or lever); minimum 8 mills epoxy coated interior and exterior; meets AWWA C-504 standards.
- Seat-in-body design reduces seat failure due to corrosive buildup in the valve and pipeline
- Disc edge is 316 Stainless Steel
- Disc - Ductile Iron ASTM A-536 (65-45-12) (3"-4" Stainless Steel ASTM A-531 CF8M)
- Nonmetallic bearings prevent galvanic corrosion and provides lower coefficient of friction
- Chevron "V" type packing is self-adjusting to last the life of the valve
- 3"-24" Standard 304 SS hardware.



3"-20"



24"-48"

Options

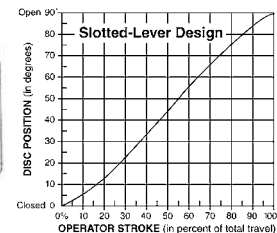
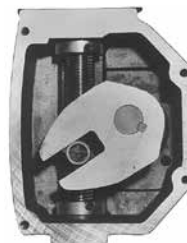
- MDT Actuator with handwheel or chainwheel and position indicator
- MDT Actuator with cylinder actuator (also available with manual override, handjack and 4-way solenoid valve)
- EPDM rubber seat and seals
- 304/316 Stainless Steel Fasteners
- Additional 4 mills minimum Epoxy interior and/or exterior
- Holiday testing
- Ground level position indicator

Standard Buried Service Actuators

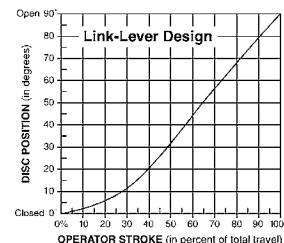
Note: Actuator size subject to change based on actual pipeline conditions.

Valve size	Actuator	Number of turns
3"-8"	MDT-2S	32
10"-14"	MDT-3S	30
16"-18"	MDT-4S	40
20"-24"	MDT-5	44
30"-36"	MDT-5S	136
42"-48"	MDT-6S	215

Slotted-Lever (3"-8")



Link-Lever (10"-48")



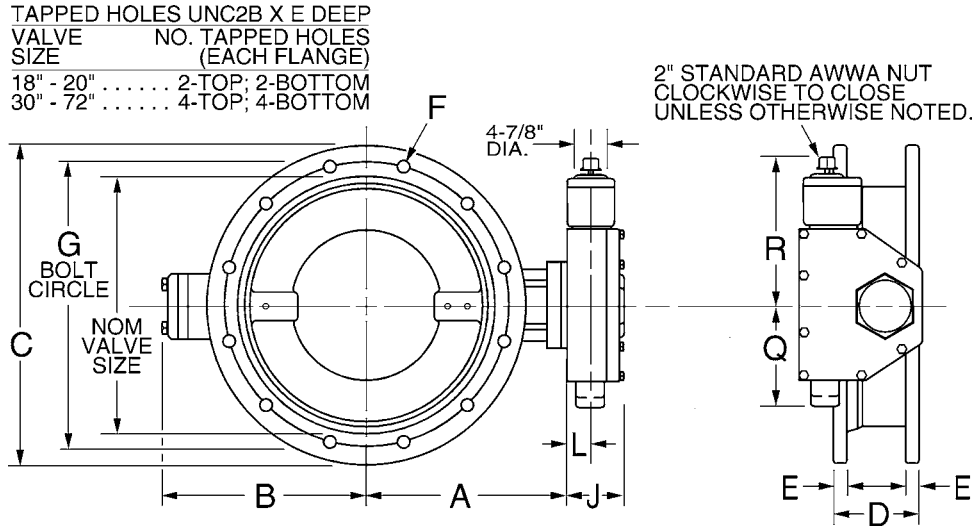
MUELLER® LINESEAL XP™ BUTTERFLY VALVES (CLASS 250B) 3"-48"* - FLANGE ENDS



11.11

Rev. 10-11

Dimensions - for Line Seal XP Valves - Flange (ANSI B16.1 Class 250) Ends, 3"-48"* Sizes.



TAPPED HOLES VALVE SIZE	UNC2B X E DEEP NO. TAPPED HOLES (EACH FLANGE)
18" - 20"	4(2 OVER BOTH SHAFT AREAS)
30" - 48"	8(4 OVER BOTH SHAFT AREAS)

NOTES: These dimensions are correct at time of publication but are not to be construed as certified drawings. Certified drawings are available upon request. Actuator size subject to change based on actual pipeline conditions.

Dimension+	Nominal size														
	3"	4"	6"	8"	10"	12"	14"	16"	18"	20"	24"	30"	36"	42"	48"
A	4.75	5.50	7.25	8.50	9.75	11.50	12.75	14.00	15.25	17.00	19.75	25.63	28.13	32.13	36.25
B	3.25	3.50	8.38	9.63	11.00	12.63	13.88	15.13	16.38	17.63	20.25	26.00	31.13	35.13	39.63
C	8.25	10.00	12.50	15.00	17.50	20.50	23.00	25.50	28.00	30.50	36.00	43.00	50.00	57.00	65.00
D	5.00	5.00	6.00	8.00	8.00	8.00	12.00	12.00	12.00	12.00	12.00	12.00	15.00	15.00	15.00
E	1.13	1.25	1.44	1.63	1.88	2.00	2.13	2.25	2.38	2.50	2.75	3.00	3.38	3.69	4.00
F (number and size of holes)**	8--.88	8--.88	12--.88	12--1.00	16--1.12	16--1.25	20--1.25	20--1.38	20--1.38	20--1.38	24--1.62	20--2.00	24--2.25	28--2.25	32--2.25
	--	--	--	--	--	--	--	--	4--1.25	4--1.25	--	8--1.50	8--2.00	8--2.00	8--2.00
G	6.63	7.88	10.63	13.00	15.25	17.75	20.25	22.50	24.75	27.00	32.00	39.25	46.00	52.75	60.75
J	4.69	4.69	4.69	4.69	5.63	5.63	5.63	6.38	6.38	7.56	7.56	7.56	8.31	11.13	
L	2.00	2.00	2.00	2.00	2.44	2.44	2.44	2.84	2.84	3.49	3.49	3.49	3.94	5.06	
Q	4.50	4.50	4.50	4.50	5.38	5.38	5.38	6.75	6.75	10.00	10.00	10.00	15.94	14.19	
R	8.25	8.25	8.25	8.25	10.38	10.38	10.38	11.31	11.31	17.00	17.00	17.00	19.88	26.50	
Turns to Open	32	32	32	32	30	30	30	40	40	44	44	44	136	215	
Actuator (see notes)	MDT-2S	MDT-2S	MDT-2S	MDT-2S	MDT-3S	MDT-3S	MDT-3S	MDT-4S	MDT-4S	MDT-5	MDT-5	MDT-5	MDT-5S	MDT-6S	

+All dimensions are in inches.

*Consult your Mueller representative for sizes larger than 48".

**Dimension F is number and size of clearance holes for bolts; bottom row: number and size of threaded holes for studs.



CONTACT FACTORY