

VINYLTECH AWWA C905

TECHNICAL DATA SUBMITTAL

CONFORMANCE

These specifications designate the requirements for manufacturing and installing Vinyltech AWWA C905 water transmission pipe.

AWWA C905-97 - Polyvinyl Chloride (PVC) Pressure Pipe and Fabricated Fittings, 14" Through 48" (350mm Through 1,200mm), For Water Transmission and Distribution

AWWA C605 - Underground Installation of Polyvinyl Chloride (PVC) Pressure Pipe and Fittings for Water

ASTM D 1784 - Standard Specification for Rigid Poly (Vinyl Chloride) (PVC) Compounds and Chlorinated Poly (Vinyl Chloride) (CPVC) Compounds

ASTM D 3139 - Standard Specification for Joints for Plastic Pressure Pipes Using Flexible Elastomeric Seals

ASTM F 477 - Standard Specification for Elastomeric Seals (Gaskets) for Joining Plastic Pipe

ASTM D 2122 - Standard Method of Determining Dimensions of Thermoplastic Pipe and Fittings

ASTM D 2837 - Method for Obtaining Hydrostatic Design Basis for Thermoplastic Pipe Materials

PIPE COMPOUND

The pipe shall be extruded from compounds meeting (PVC1120) the requirements of Cell Classification 12454-B, as defined in ASTM D 1784, *Standard Specification for Rigid Poly (Vinyl Chloride) (PVC) Compounds and Chlorinated Poly (Vinyl Chloride) (CPVC) Compounds*. The PVC shall also be listed by the National Sanitation Foundation (NSF) for use in potable water.

PIPE

Vinyltech pipe shall be manufactured in accordance with AWWA C905-97.

GASKET JOINT

The gasket shall be reinforced with a steel band and meet the requirements of ASTM F477. Vinyltech pipe shall have an integral bell end with a locked-in factory installed gasket and shall meet the joint requirements of ASTM D 3139.

MARKING

The pipe shall be marked in accordance with AWWA C905 as in the following example.

- Manufacturer's name and production codes
- Nominal size, dimension ratio number, and O.D. base (for example, 16" DR 18 CI)
- Materials cell classification (PVC1120)
- AWWA pressure rating (PR 165, or PR 235) and hydrostatic test pressure (T/330, or T/470)
- AWWA designation number (AWWA C905)
- Production date code (VOO 101A)
- Seal of the testing agency that verified the suitability of the pipe and the material for potable water (NSF)

QUALITY CONTROL

Each length of the pipe including the bell shall be hydrostatically tested in accordance with AWWA C905-97. The pipe shall meet all additional test requirements as described in AWWA C905. Our full time quality assurance staff continually administers a rigid program of tests to maintain the production of the best pipe products available.

INSTALLATION

Recommended installation procedure of Vinyltech Corporation and the Uni-Bell PVC Pipe Association are outlined in AWWA C605, *Underground Installation of Polyvinyl Chloride (PVC) Pressure Pipe and Fittings for Water*. The *Uni-Bell Handbook of PVC Pipe* is also an invaluable resource guide for design and installation.

TAPPING

The consistent success of tapping PVC pressure pipe is contingent upon the use of proper procedures and equipment. Tapping should be as recommended in AWWA C605.

ASSEMBLING THE PIPE

Assembly of Vinyltech PVC transmission pipe is easily accomplished. A depth of entry mark is on each spigot end to serve as a visual check for rapid, accurate joint inspection. **Do not over insert.**

- Remove any mud, sand, or other foreign matter from the belled and spigot ends of the pipe. Carefully clean the gasket area.
- With a clean applicator (a brush or hand) lubricate the entire surface of the pipe from the spigot end to the depth of entry mark and the contact surface of the gasket with **Vinyltech Brand Lubricant**.
- Brace the bell to avoid disturbing the already installed joints. Align the pipe, insert the spigot into the bell and push.
- Do not insert past the entry mark line.**



201 S. 61st Avenue • Phoenix, AZ 85043
602 233-0071 • 602 272-4847 Fax • www.vtpipe.com

AN  OTTERTAIL COMPANY

AWWA C905

VINYLTECH AWWA C905

TECHNICAL DATA SUBMITTAL

C905 DR 25 PRESSURE RATED 165

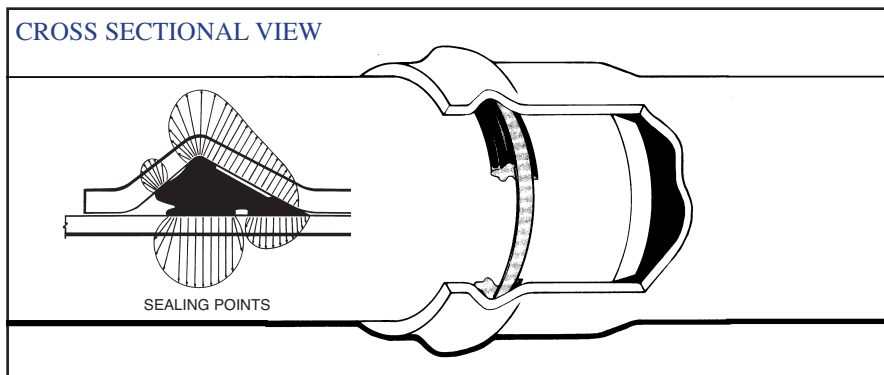
NOMINAL SIZE (IN)	(mm)	OUTER DIAMETER (IN)	MINIMUM WALL	APPROXIMATE WEIGHT (LB/100')
* 14	(100)	15.30	0.612	1935.0
16	(150)	17.40	0.696	2575.0
18	(200)	19.50	0.780	3165.0
* 20	(250)	21.60	0.864	3900.0
* 24	(300)	25.80	1.032	5600.0

C905 DR 18 PRESSURE RATED 235

NOMINAL SIZE (IN)	(mm)	OUTER DIAMETER (IN)	MINIMUM WALL	APPROXIMATE WEIGHT (LB/100')
* 14	(100)	15.30	0.850	2650.0
16	(150)	17.40	0.967	3475.0
18	(200)	19.50	1.083	4340.0
* 20	(250)	21.60	1.200	5350.0
* 24	(300)	25.80	1.433	7650.0

* Northern Pipe Products

CROSS SECTIONAL VIEW



THE RIEBER SEALING SYSTEM

The Rieber system provides a proven pipe joint with an excellent track record in the field. It is the fastest growing system in the world because of its many advantages.

- Factory installed, locked-in gasket
- The pipe bell forms over the gasket, making a perfect fit
- Avoids the possibility of installing the wrong gasket
- Reduces installation problems
- The locked-in gasket eliminates gasket roll-out during joining
- The gasket is molded vs. extruded and spliced
- Works equally well under pressure or vacuum
- Three sealing points achieved vs. two
- **LEAK-PROOF JOINTS**
- **“THE WORLDS BEST JOINT”**

AWWA C905