



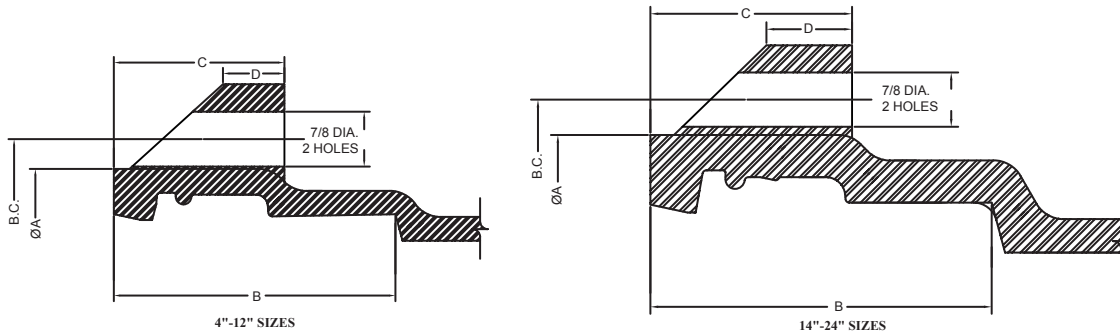
Compact Push-On Fittings

ANSI/AWWA C153/A21.53

4" - 24" DUCTILE IRON PUSH-ON JOINT COMPACT FITTINGS

GENERAL SPECIFICATIONS

- MATERIAL:** Ductile iron per ASTM A536
- PRESSURE:** 350 PSI rating for 4" - 24" sizes. Pressure rating applies to fittings only and does not apply to restraining lugs or external restrainers
- TESTING:** In accordance with ANSI/AWWA C153/A21.53 and UL requirements
- LAYING LENGTH:** In accordance with ANSI/AWWA C153/A21.53 (fittings not listed in ANSI/AWWA have dimensions per Star design as noted in the catalog)
- WEIGHTS:** Are in pounds, unless noted otherwise and do not include accessories, cement lining and coating
- FLANGES:** Flanged ends on fittings match ANSI/AWW C115/A21.15 and ANSI B16.1 class 125 flanges
- CEMENT LINING:** In accordance with ANSI/AWWA C104/A21.4 -- sizes 4" - 24" double thickness
- COATING:** Asphaltic seal coat inside and out in accordance with ANSI/AWWA C104/A21.4
- GASKETS:** Dual hardness SBR in accordance with ANSI/AWWA C111/A21.11 (see pg. 34)
- APPROVALS:** 4" - 12" Underwriters Laboratories Listed
4" and greater are UL/NSF-61
- DIMENSIONS:** All dimensions are in inches unless noted otherwise



WATER QUALITY

PUSH-ON JOINT DIMENSIONS

NOM. SIZE	ØA	B.C.	B	C	D
4	6.38	7.50	4.02	2.17	1.12
6	8.52	9.56	4.02	2.17	1.12
8	10.80	11.82	4.49	2.72	1.12
10	12.91	14.00	4.49	2.91	1.12
12	15.05	16.25	5.00	2.99	1.12
14	17.65	18.75	5.50	3.12	1.25
16	19.81	21.00	5.50	3.25	1.25
18	22.11	23.25	5.50	3.25	1.25
20	24.23	25.50	5.50	3.25	1.25
24	28.55	30.00	6.00	3.25	1.25



Please note: All fittings are standard with two (2) restraining lugs. Bends 45° & 90° in sizes 4" - 12" are also available with four (4) restraining lugs.

STAR[®] PIPE PRODUCTS