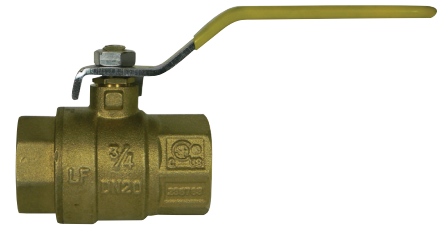


SUBMITTAL DATA SHEET

No-Lead Ball Valves - Full Port
No-Lead Ball Valves - 72117T

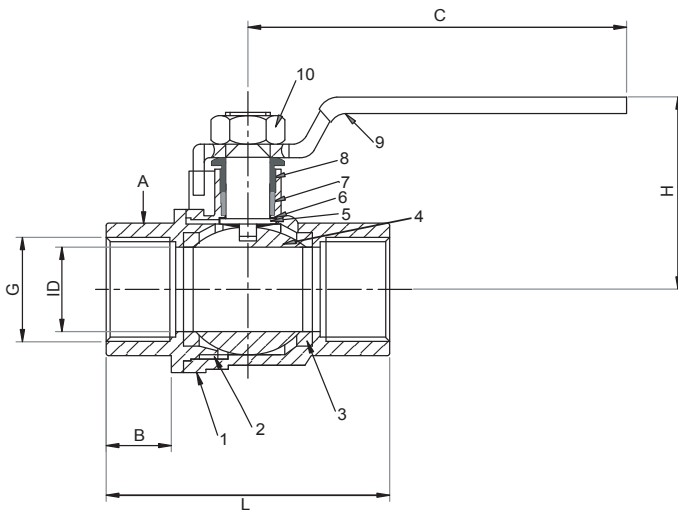
FNPT x FNPT Thread



A.Y. McDonald Mfg. Co. No-Lead Full Port Ball Valves are constructed of heavy duty no-lead brass and can be used with a full range of liquids and gases in commercial, industrial and residential applications. No-Lead Full Port Ball Valves allow for maximum flow with minimum pressure drop.

Dimensions


Size	L	ID	H	G	A	B	C
1/4"	1.73	.40	1.81	1/4-18 NPT	.81	.37	3.50
3/8"	1.73	.40	1.81	3/8-18 NPT	.81	.37	3.50
1/2"	1.97	.58	1.99	1/2-14 NPT	.98	.41	3.50
3/4"	2.24	.75	2.36	3/4-14NPT	1.22	.45	4.09
1"	2.66	.97	2.46	1-11.5 NPT	1.50	.53	4.63
1 1/4"	3.21	1.27	2.76	1 1/4-11.5 NPT	1.85	.61	4.63
1 1/2"	3.58	1.57	3.70	1 1/2-11.5 NPT	2.09	.65	5.71
2"	4.17	2.00	4.02	2-11.5 NPT	2.56	.69	5.71
2 1/2"	5.35	2.54	4.53	2 1/2-8 NPT	3.35	.93	9.13
3"	6.32	3.14	4.96	3-8 NPT	3.94	1.06	9.13
4"	7.28	3.93	5.55	4-8 NPT	4.88	1.10	



Materials

No.	Part	Material
1	Body	No-Lead Forged Brass
2	Bonnet	No-Lead Forged Brass
3	Seal	Teflon
4	Ball	C.P. No-Lead Forged Brass
5	Stem	No-Lead Forged Brass
6	Stem Washer	Teflon
7	Packing	Teflon
8	Packing Gland	No-Lead Forged Brass
9	Lever Handle	Chrome Plated Steel w/Vinyl Cover
10	Hex Nut	No-Lead Forged Brass

SUBMITTAL INFORMATION

- 600 WOG (1/4" - 2")
- 400 WOG (2 1/2" - 4")
- Manufactured to MSS-SP-110
- Blowout proof stem
- Sizes: 1/4", 3/8", 1/2", 3/4", 1", 1 1/4", 1 1/2", 2", 2 1/2", 3", 4"
- Threads conform to ANSI B1.20.1
- NSF / ANSI 61-8
- 72117T 1/2" - 2" Certified to:
 -  **ANSI**
 - B16.44 5 PSIG
 - Z21.15 1/2 PSIG

NO-LEAD: The weighted average of the wetted surface of this no-lead product contacted by consumable water contains less than one quarter of one percent (0.25%) lead.



A.Y. McDonald Mfg. Co.
P.O. Box 508
Dubuque, IA 52004-0508

Toll Free: 1-800-292-2737
Fax: 1-800-832-9296
Hours: 7:00 a.m. - 5:00 p.m., CST

sales@aymcdonald.com
www.aymcdonald.com

A.Y. McDonald considers the information on this assembly drawing correct when published. Item and option availability, including specifications, are subject to change without notice.