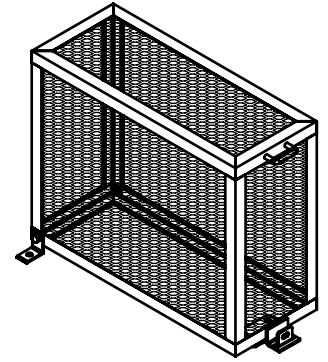


CUSTOM FABRICATED ITEM
 ITEM IS NON-RETURNABLE
 AND CANNOT BE CANCELED
 ONCE PLACED INTO PRODUCTION.

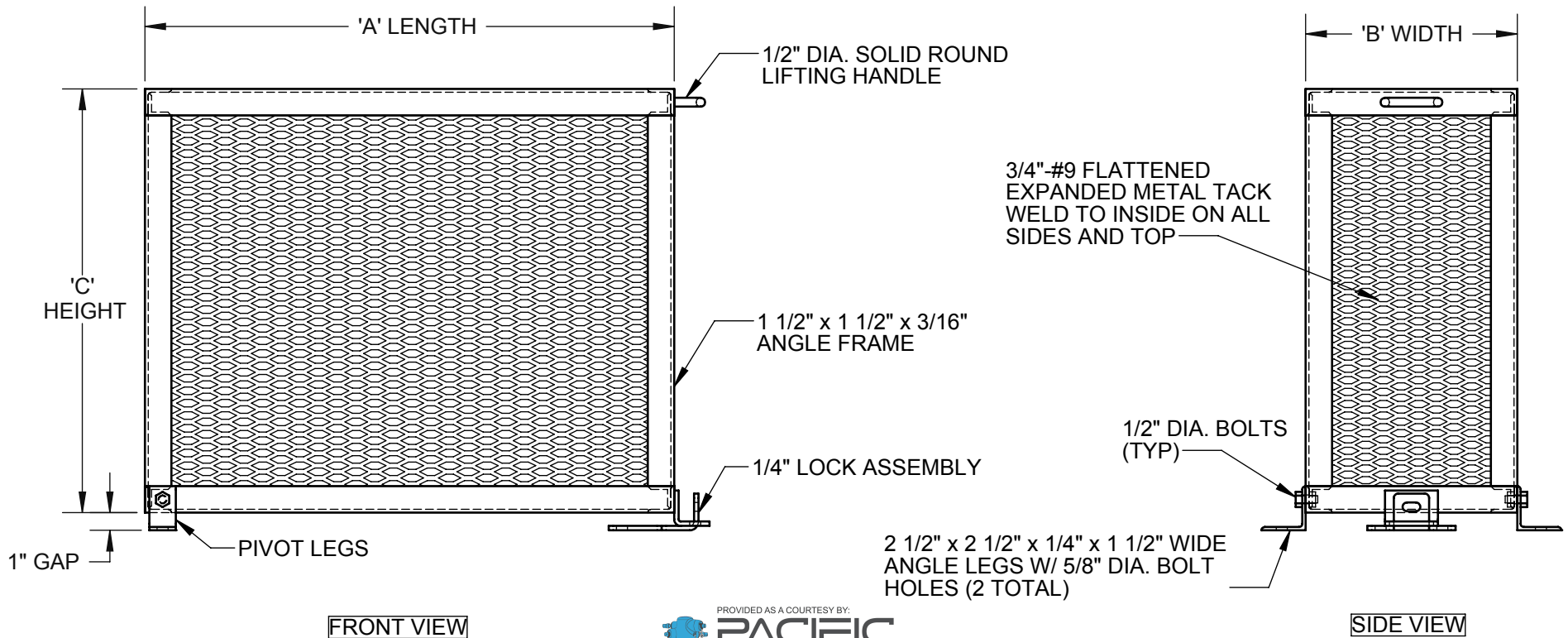
PIPELINE PRODUCTS



ISOMETRIC VIEW

X _____ APPROVED BY _____
 DATE: _____

PART #	VALVE SIZE	'A' LENGTH	'B' WIDTH	'C' HEIGHT
BFE-075E	3/4"	24"	12"	24"
BFE-100E	1"	30"	12"	24"
BFE-200E	1 1/2" & 2"	42"	18"	30"



NOTES:
 POWDER COAT HUNTER GREEN AFTER FABRICATION.

DO NOT SCALE DRAWING	DRAWN: MENERA	TITLE: SINGLE-LIFT BACKFLOW ENCLOSURE	SCALE: NTS
DIMENSIONS ARE IN INCHES	PART NO: SEE CHART	REV: A	SHEET 1 OF 1