

**AMERICAN AVK RESILIENT SEATED DUCTILE IRON GATE VALVE**  
**250 PSI, Tested to AWWA C509 (NRS)**  
**NPT threaded ends - Valve sizes 1" through 3"**

**03/39X**  
**NPT**

**Use:**

For water and neutral liquids to maximum 160°F.

**Tests:**

Hydraulic test to AWWA C509:

Shell Test: 500 PSI

Seat Test: 250 PSI

Operating Torque Test

**Optional Materials:**

Bonnet Bolts                      Stainless Steel - 316  
 sealed with hot melt

Gland Bolts                      Stainless Steel - 316  
 Hexagon Bolt

Stem                                  Stainless Steel - 316

**Standard Materials:**

Body, Bonnet,                      Ductile iron ASTM A536  
 Gland Flange,                      (Wrench Nut-painted black for  
 Wrench Nut                              open left, red for open right)

Coating                              Electrostatically applied fusion-  
 bonded epoxy-resin  
 Meets or exceeds AWWA C550

Stem                                  Standard: Stainless steel  
 ASTM A582

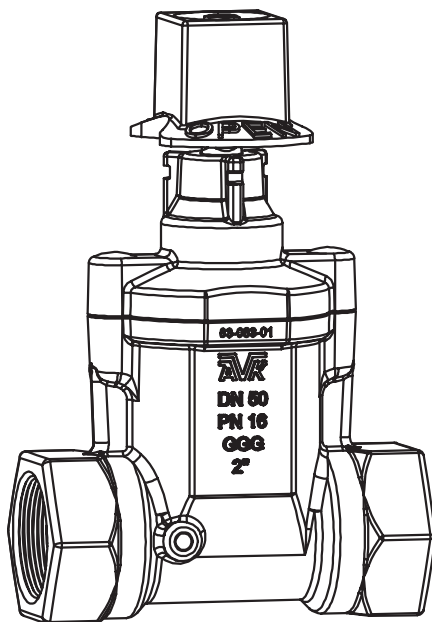
Wedge                                Brass - encapsulated with  
 EPDM-rubber compound

Bonnet Bolts                      Stainless Steel - 304  
 sealed with hot melt

Gland Bolts                      Stainless Steel - 304  
 Hexagon bolt

Bonnet Gasket,                      ASTM D2000 Buna "N" nitrile  
 Wiper Ring,                              rubber  
 O-Ring Stem Seals,  
 Stem Collar

Stem Seal                              Polyamide

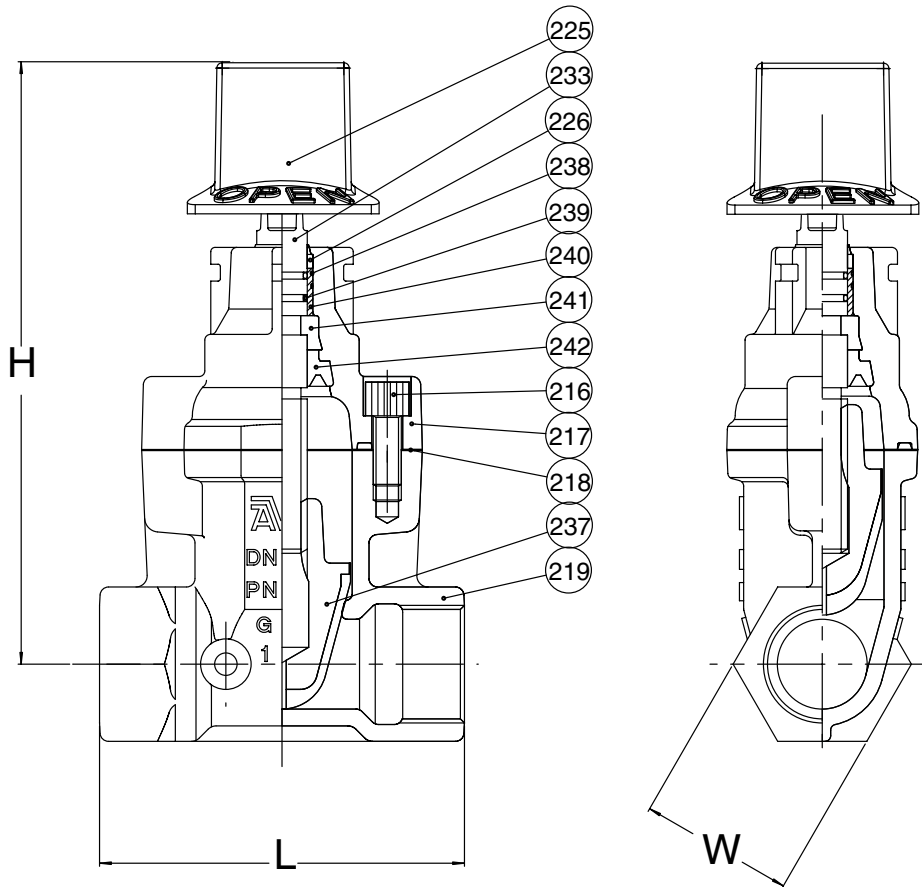


**AMERICAN AVK RESILIENT SEATED DUCTILE IRON GATE VALVE**  
**250 PSI, Tested to AWWA C509 (NRS)**  
**NPT threaded ends - Valve sizes 1" through 3"**

**03/39X**  
**NPT**

**Component List:**

- |                    |                    |
|--------------------|--------------------|
| 216. Bonnet Bolt   | 237. Wedge         |
| 217. Bonnet        | 238. Outer O-rings |
| 218. Bonnet Gasket | 239. Inner O-rings |
| 219. Body          | 240. Slide Bearing |
| 225. Wrench Nut    | 241. Stem Collar   |
| 226. Wiper Ring    | 242. Stem Seal     |
| 233. Stem          |                    |



Ref No.	Size	H	L	W	Turns to Open	Wt. Lbs.
03-032-39X	1.00"	8.63"	4.50"	1.81"	7	8
03-040-39X	1.25"	9.25"	5.13"	2.19"	9	9
03-050-39X	1.50"	9.83"	6.00"	2.38"	11	14
03-063-39X	2.00"	10.50"	7.00"	3.00"	13	18
03-075-39X	2.50"	12.25"	6.69"	3.54"	11	22
03-090-39X	3.00"	12.09"	7.28"	4.13"	13	25