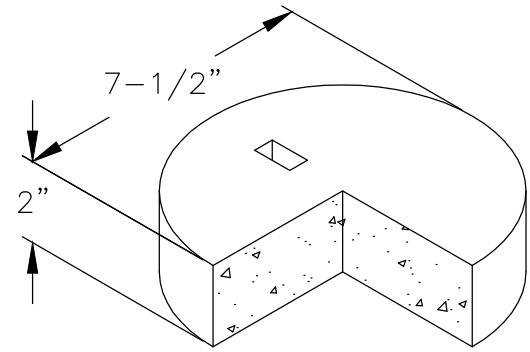
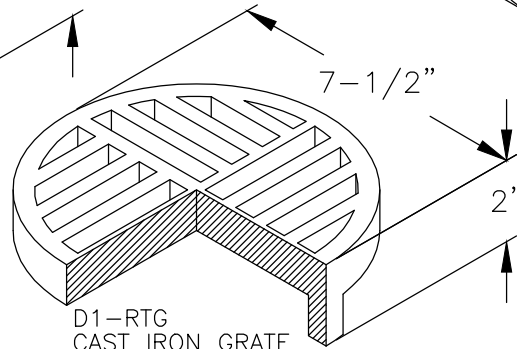


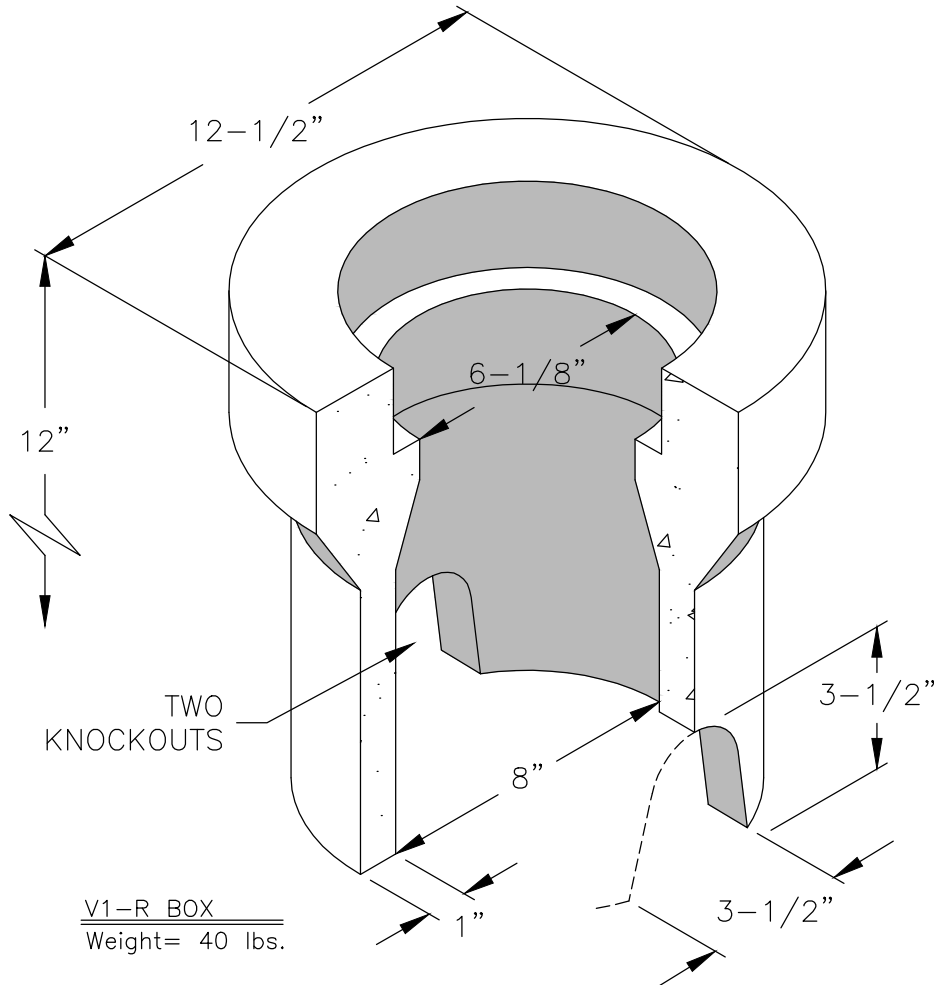
V1-RT  
CAST IRON COVER  
Weight= 6 lbs.



V1-RC  
CONC. COVER  
Weight= 5 lbs.



D1-RTG  
CAST IRON GRATE  
Weight= 6 lbs.



V1-R BOX  
Weight= 40 lbs.

**No. V1-R  
VALVE BOX SERIES**

**J&R CONCRETE PRODUCTS**

440 W. MARKHAM ST.  
PERRIS, CA. 92571  
PHONE:(951) 943-5855 FAX:(951) 940-9207

