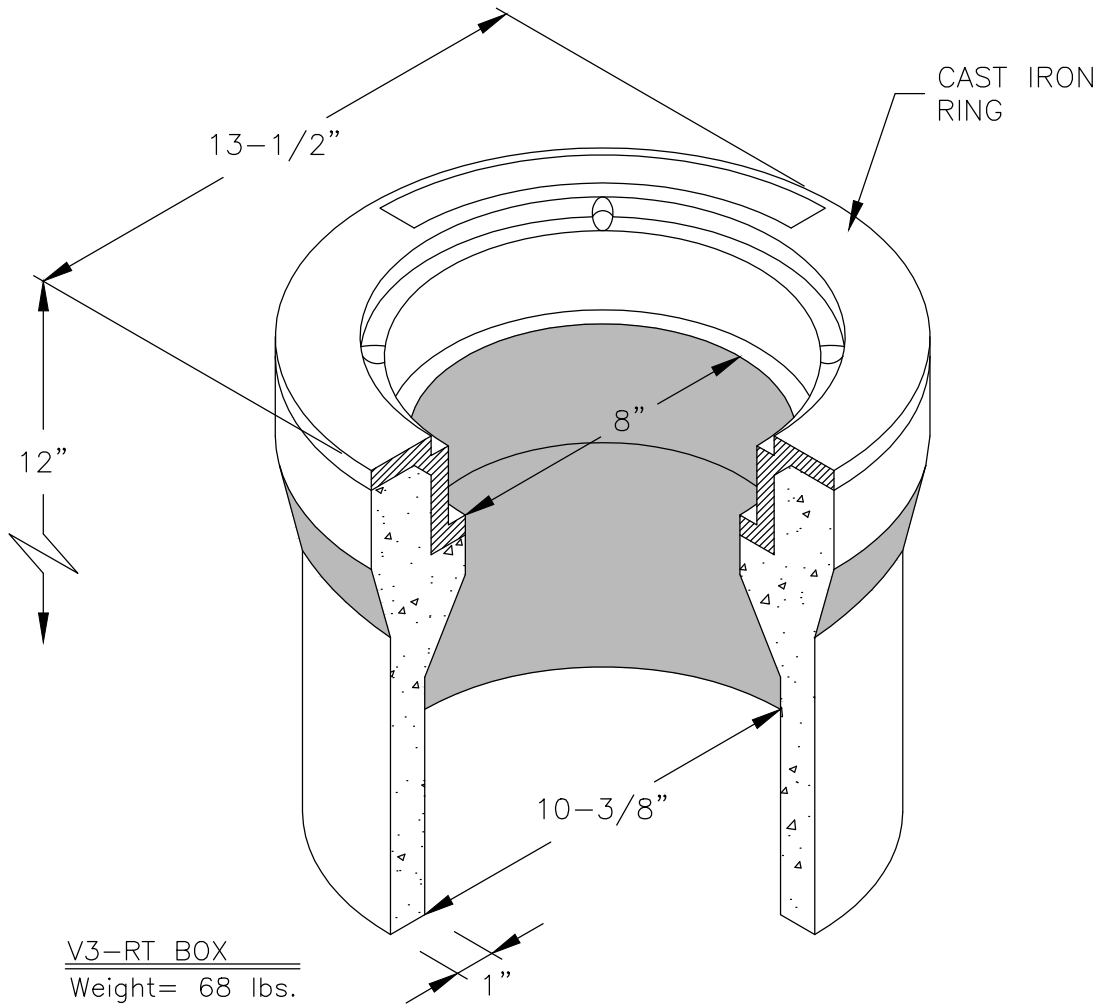


CAST IRON COVER  
Weight= 15 lbs.



V3-RT BOX  
Weight= 68 lbs.

**No. V3-RT  
VALVE BOX SERIES  
FOR H-10 LOADING**



**J&R CONCRETE PRODUCTS**

440 W. MARKHAM ST.  
PERRIS, CA. 92571  
PHONE:(951) 943-5855 FAX:(951) 940-9207