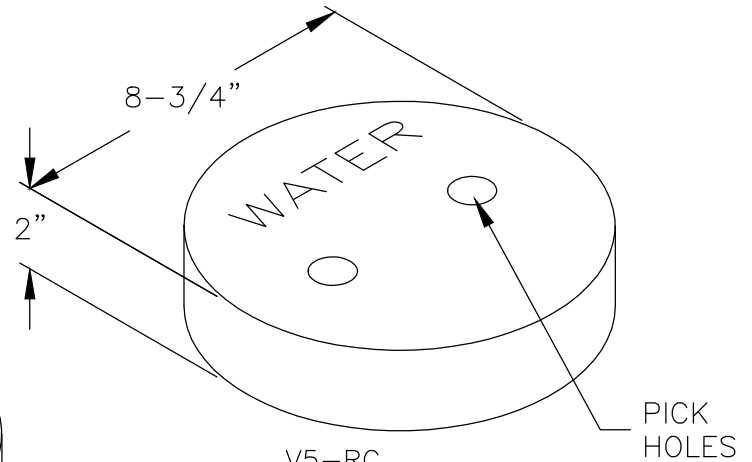
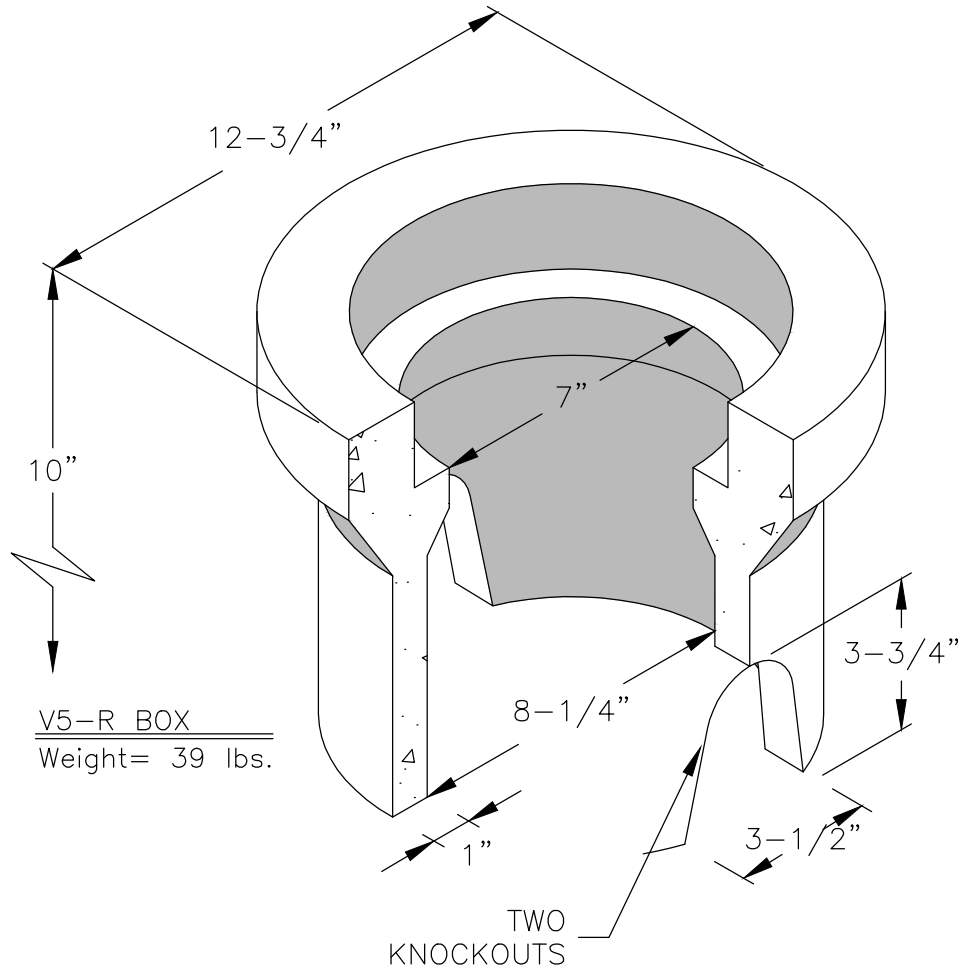


Weight= 7 lbs.



V5-RC
CONC. COVER
Weight= 10 lbs.



**No. V5-R
VALVE BOX SERIES**

J&R CONCRETE PRODUCTS

440 W. MARKHAM ST.
PERRIS, CA. 92571
PHONE:(951) 943-5855 FAX:(951) 940-9207

