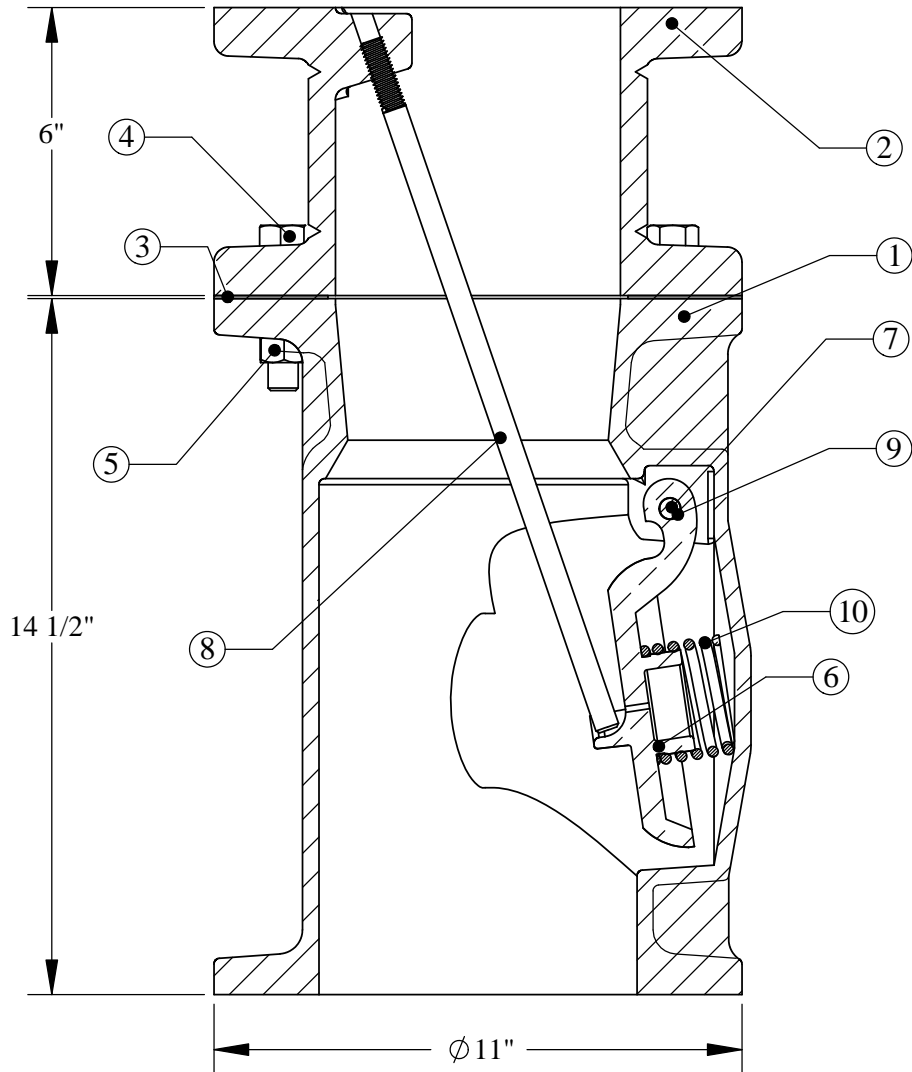
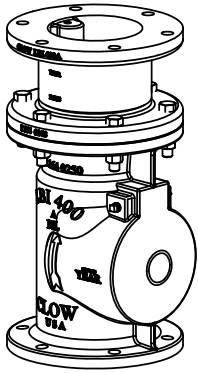


BREAK OFF CHECK VALVE
MATERIAL LIST

CLOW VALVE COMPANY

MODEL LBI 400A



ITEM NO.	QTY.	DESCRIPTION	MATERIAL
1	1	Body	Ductile Iron
2	1	Extension	Cast Iron
3	1	Gasket	Rubber
4	6	5/8-11 X 3 Hex Head Bolt	Stainless Steel
5	6	5/8" Hex Head Nut	Stainless Steel
6	1	Flapper	Copper Alloy
7	1	Pin	Stainless Steel
8	1	Break Off Bar	Stainless Steel
9	2	1/4 NPT Pipe Plug	Stainless Steel
10	1	Spring	Stainless Steel