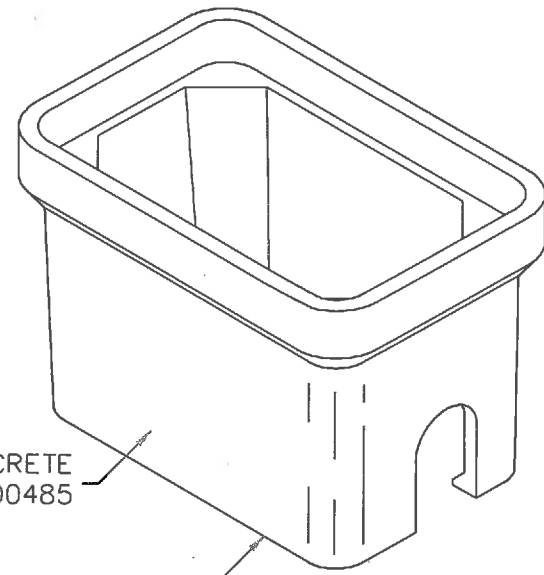
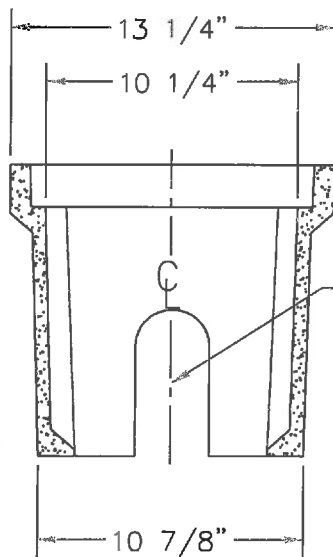


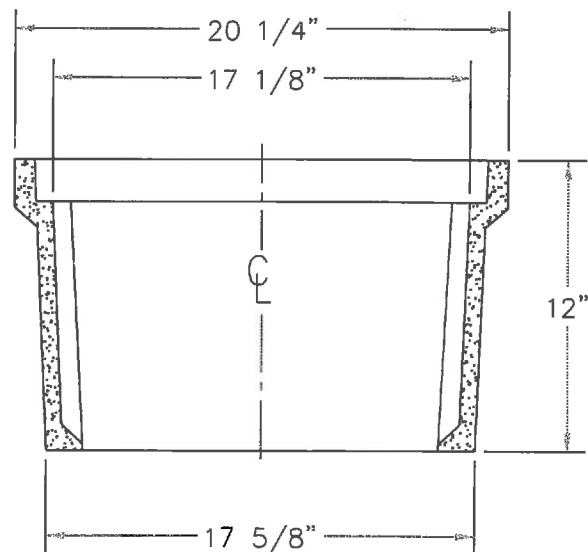
TOP VIEW



OPEN BASE



SECTION B-B



SECTION A-A

FILE #  
A6-0485



13230 Satcoy Street,  
 North Hollywood, CA 91605  
 (818) 982-3600

ARMORCAST PRODUCTS COMPANY

PART DESCRIPTION

12" X 20" X 12" RPM WATER METER BOX

CUSTOMER

WATER INDUSTRY #37, #4-1/2, #B-12

"THE INFORMATION IN THIS DRAWING IS CONFIDENTIAL. THE DRAWING IS NOT TO BE REPRODUCED OR ITS CONTENTS DIVULGED IN ANY WAY WHATSOEVER EXCEPT WITH THE PRIOR WRITTEN APPROVAL OF ARMORCAST PRODUCTS COMPANY. IT IS THE PROPERTY OF AND MUST BE RETURNED TO ARMORCAST PRODUCTS COMPANY, 13230 SATICOY STREET, NORTH HOLLYWOOD, CALIFORNIA 91605."

DRAWN  
GL

DATE  
3/98

SCALE

MAX. LOAD

APPROV.  
WS

DATE  
3/98

MATERIAL  
POLYMER CONCRETE

DRAWING NUMBER

A6000485