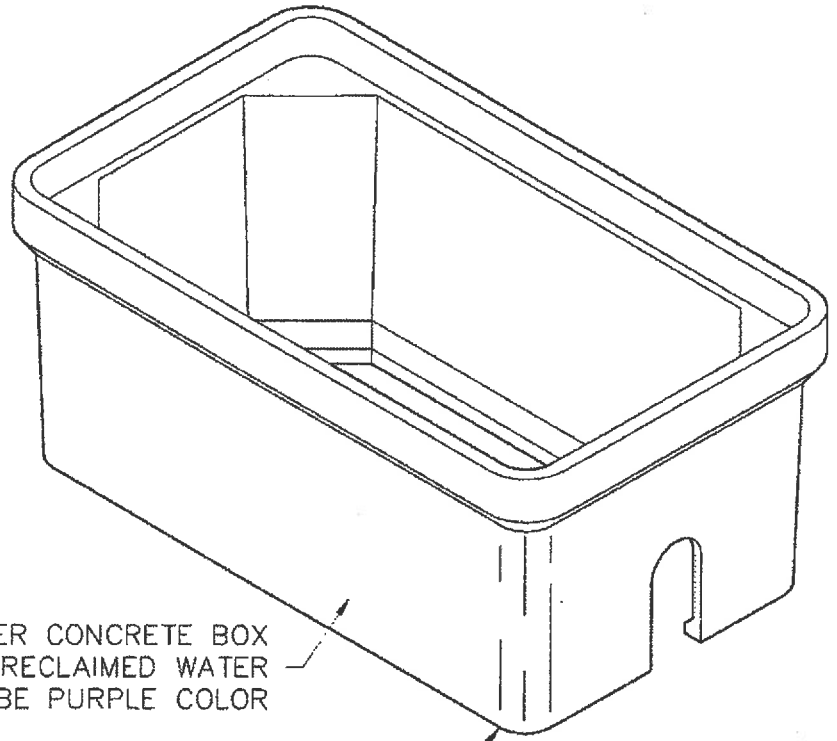
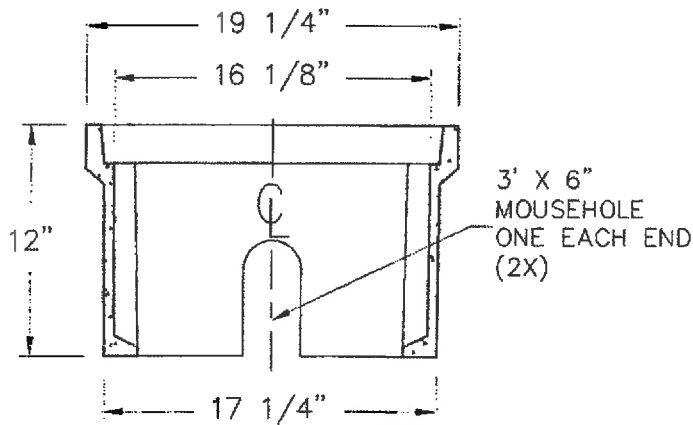


TOP VIEW

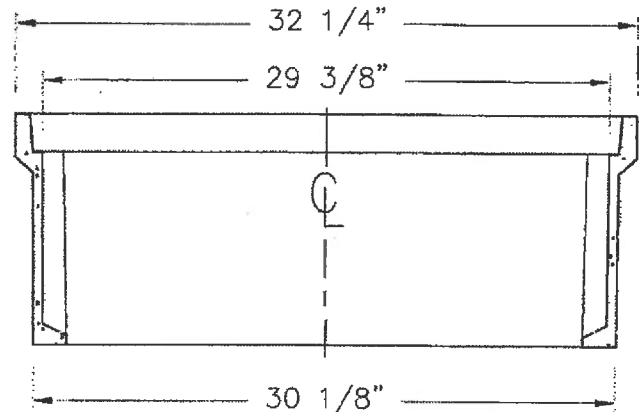


POLYMER CONCRETE BOX FOR RECLAIMED WATER SHALL BE PURPLE COLOR

OPEN BASE



SECTION A-A



SECTION B-B

RECLAIMED WATER METER BOX SHALL BE PANTONE 522 COLOR AFTER EXPOSURE REPLACES SDW 113 CONCRETE BOX

FILE #
A6-1640PCX12-SDW

ARMORCAST PRODUCTS COMPANY
 13230 Saticoy Street,
 North Hollywood, CA 91605
 (818) 982-3600

PART DESCRIPTION			
17" x 30" x 12" POLYMER CONCRETE WATER METER BOX			
CUSTOMER			
CITY OF SAN DIEGO WATER			
DRAWN	DATE	SCALE	MAX. LOAD
GL	6/13	NONE	
APPROV.		MATERIAL	DRAWING NUMBER
WS	6/13	POLYMER CONCRETE	A6001640PCX12

"THE INFORMATION IN THIS DRAWING IS CONFIDENTIAL. THE DRAWING IS NOT TO BE REPRODUCED OR ITS CONTENTS DIVULGED IN ANY WAY WHATSOEVER EXCEPT WITH THE PRIOR WRITTEN APPROVAL OF ARMORCAST PRODUCTS COMPANY. IT IS THE PROPERTY OF AND MUST BE RETURNED TO ARMORCAST PRODUCTS COMPANY, 13230 SATICOY STREET, NORTH HOLLYWOOD, CALIFORNIA 91605."