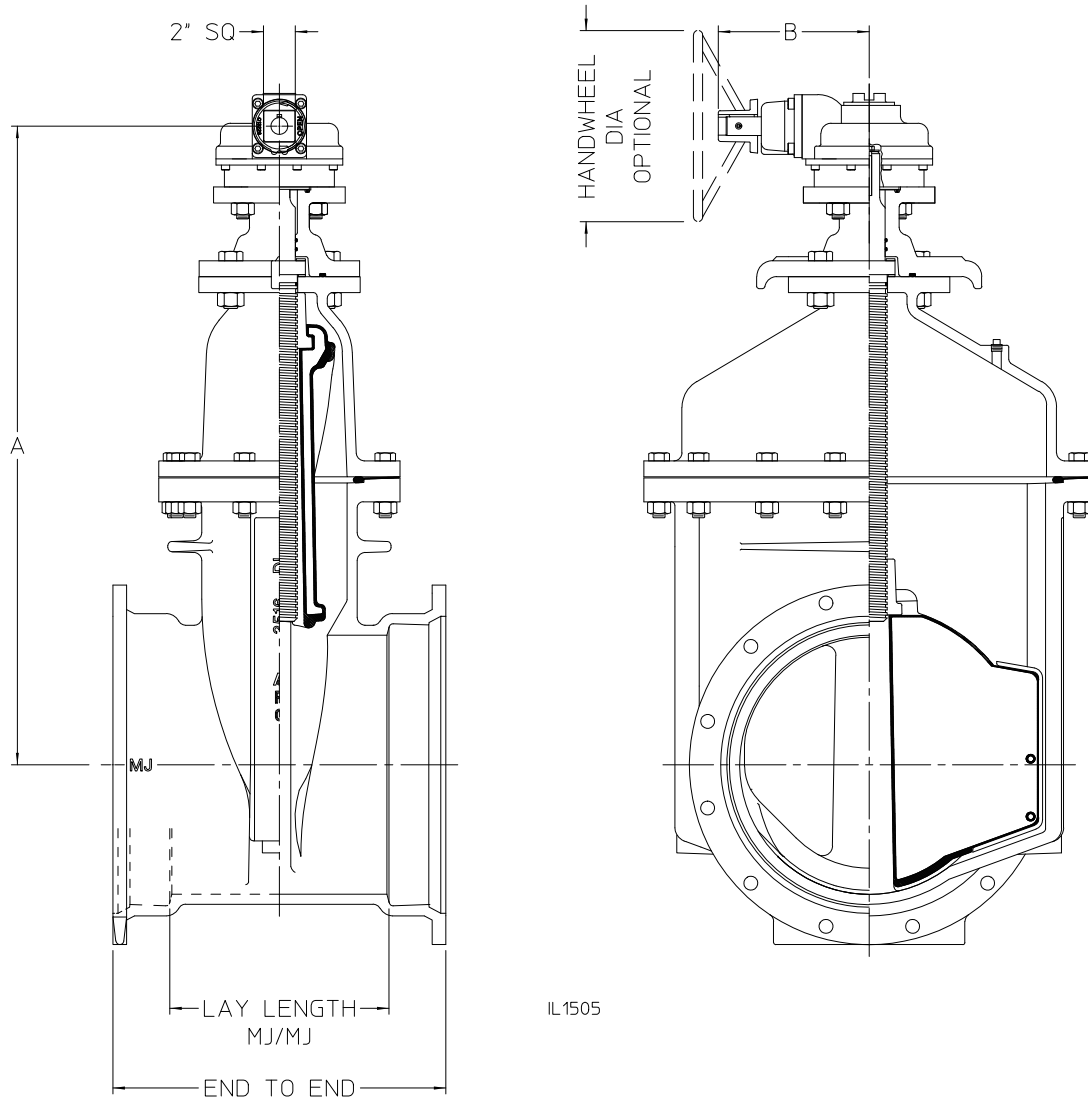


SERIES 2500 - NRS WITH BEVEL GEARING DIMENSIONS, 14"-66" SIZES



IL1505

| Dimension | Valve Size | | | | | | | | | | | |
|---------------------------------|-------------|-------|-------|-------|-------|-------|-------|-------|-------|-------|--------|--------|
| | Series 2500 | | | | | | | | | | | |
| | 14" | 16" | 18" | 20" | 24" | 30" | 36" | 42" | 48" | 54" | 60" | 66" |
| A | 35.19 | 39.75 | 43.00 | 44.44 | 52.62 | 62.62 | 74.38 | 86.28 | 96.00 | 96.00 | 118.00 | 118.00 |
| B | 9.50 | 9.50 | 9.50 | 10.38 | 10.38 | 13.56 | 15.38 | 19.19 | 19.19 | 19.19 | 19.19 | 19.19 |
| C Waterway Diameter | 14.19 | 16.19 | 18.12 | 20.12 | 24.12 | 30.22 | 36.19 | 42.38 | 48.38 | 48.38 | 60.50 | 60.50 |
| End to End - MJ/MJ | 20.50 | 20.88 | 23.00 | 23.50 | 25.62 | 33.75 | 37.50 | 46.75 | 45.00 | N/A | N/A | N/A |
| Lay Length - MJ/MJ | 13.50 | 13.88 | 16.00 | 16.50 | 18.62 | 25.75 | 29.50 | 38.75 | 37.00 | N/A | N/A | N/A |
| End to End - FL/FL (Class 125) | 15.00 | 16.00 | 17.00 | 18.00 | 20.00 | 26.00 | 30.00 | 38.00 | 43.00 | 48.00 | 53.00 | 58.00 |
| End to End - FL/FL (Class 250) | 18.50 | 21.00 | 22.00 | 24.00 | 26.38 | 32.00 | 37.00 | 40.00 | 46.25 | N/A | N/A | N/A |
| End to End - PO/PO (Push-On) | 22.16 | 24.66 | N/A | N/A | N/A | N/A | N/A | N/A | N/A | N/A | N/A | N/A |
| End to End - FL/MJ (Class 125) | 17.75 | 18.44 | 20.00 | 20.75 | 22.81 | 29.88 | 22.75 | 42.38 | 44.00 | N/A | N/A | N/A |
| End to End - FX/FX (Flex-Ring®) | N/A | 28.50 | N/A | 31.50 | 34.50 | 41.00 | 44.50 | 53.50 | 62.00 | N/A | 71.00 | N/A |
| Lay Length - FX/FX (Flex-Ring®) | N/A | 13.62 | N/A | 15.12 | 16.62 | 21.75 | 25.19 | 31.75 | 37.25 | N/A | 44.88 | N/A |
| Handwheel Diameter | 12.00 | 12.00 | 12.00 | 20.00 | 20.00 | 20.00 | 20.00 | 32.00 | 32.00 | 32.00 | 36.00 | 36.00 |
| No. of Turns to Open | 88 | 100 | 112 | 186 | 228 | 379 | 448 | 694 | 798 | 798 | 984 | 984 |