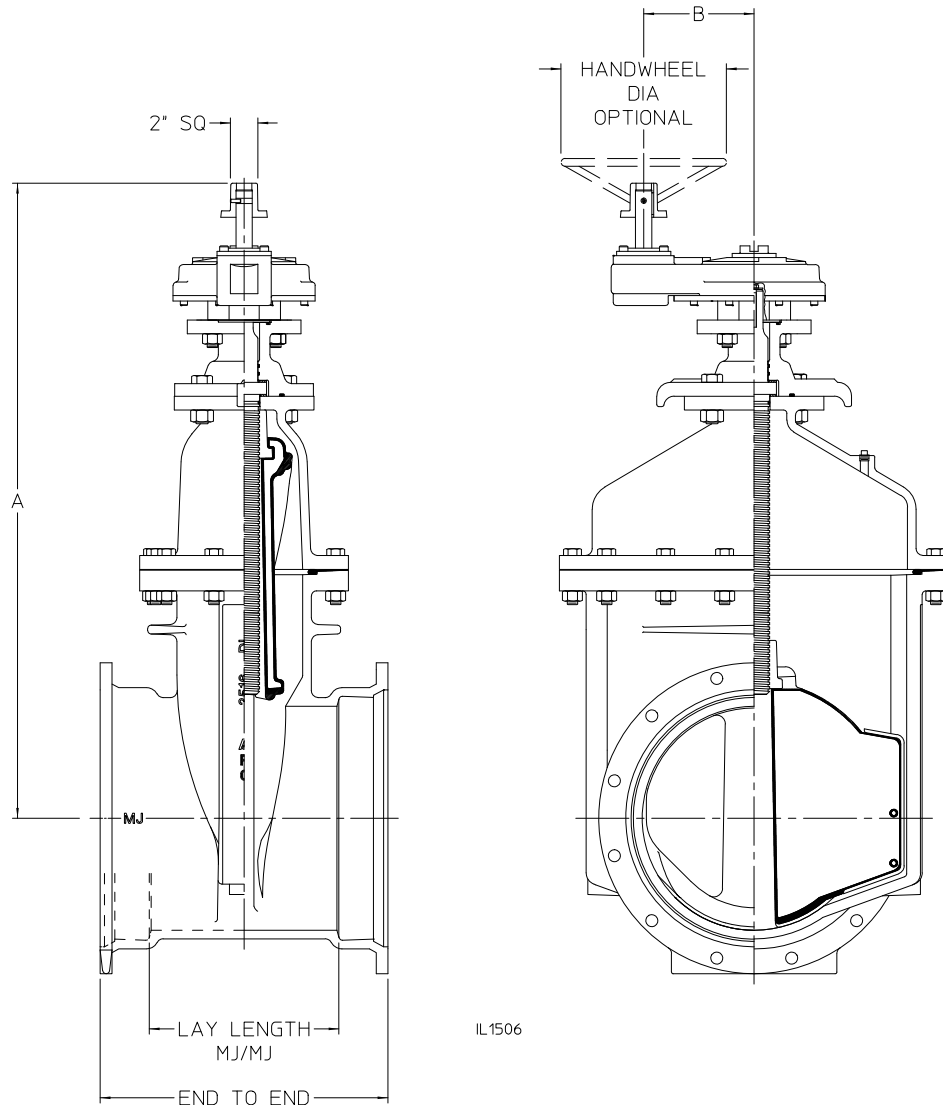


SERIES 2500 - NRS WITH SPUR GEARING DIMENSIONS, 14" - 66" SIZES



IL1506

Dimension	Valve Size											
	Series 2500											
	14"	16"	18"	20"	24"	30"	36"	42"	48"	54"	60"	66"
A	42.00	45.50	51.38	49.50	57.63	71.00	83.00	98.75	108.50	108.50	128.31	128.31
B	8.03	8.03	8.03	12.00	12.00	13.12	14.00	16.12	16.12	16.12	16.00	16.00
C Waterway Diameter	14.19	16.19	18.12	20.12	24.12	30.22	36.19	42.38	48.38	48.38	60.50	60.50
End to End - MJ/MJ	20.50	20.88	23.00	23.50	25.62	33.75	37.50	46.75	45.00	N/A	N/A	N/A
Lay Length - MJ/MJ	13.50	13.88	16.00	16.50	18.62	25.75	29.50	38.75	37.00	N/A	N/A	N/A
End to End - FL/FL (Class 125)	15.00	16.00	17.00	18.00	20.00	26.00	30.00	38.00	43.00	48.00	53.00	58.00
End to End - FL/FL (Class 250)	18.50	21.00	22.00	24.00	26.38	32.00	37.00	40.00	46.25	N/A	N/A	N/A
End to End - PO/PO (Push-On)	22.16	24.66	N/A	N/A	N/A	N/A	N/A	N/A	N/A	N/A	N/A	N/A
End to End - FL/MJ (Class 125)	17.75	18.44	20.00	20.75	22.81	29.88	22.75	42.38	44.00	N/A	N/A	N/A
End to End - FX/FX (Flex-Ring®)	N/A	28.50	N/A	31.50	34.50	41.00	44.50	53.50	62.00	N/A	71.00	N/A
Lay Length - FX/FX (Flex-Ring®)	N/A	13.62	N/A	15.12	16.62	21.75	25.19	31.75	37.25	N/A	44.88	N/A
Handwheel Diameter	12.00	12.00	12.00	20.00	20.00	20.00	20.00	32.00	32.00	32.00	36.00	36.00
No. of Turns to Open	88	100	112	186	228	379	448	694	798	798	984	984