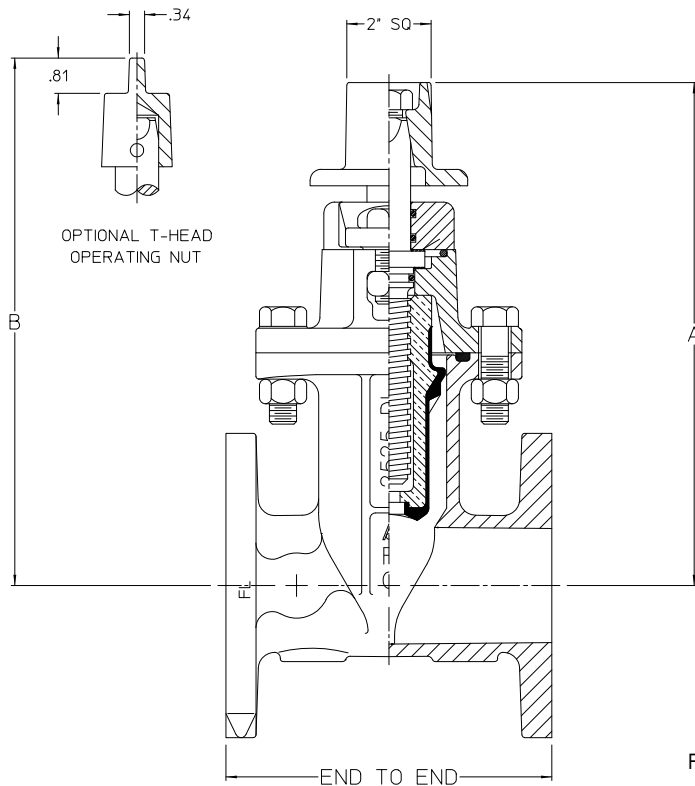
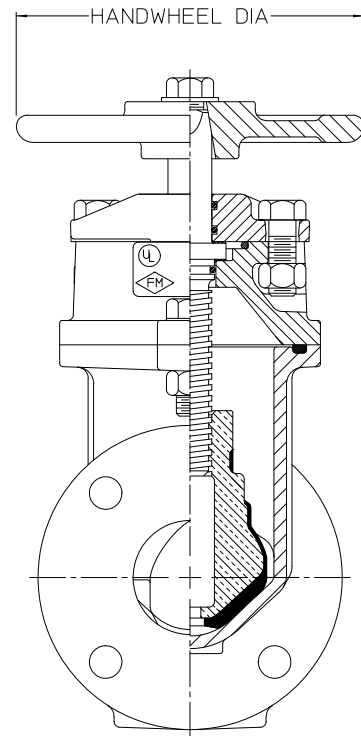


AMERICAN Flow Control Submittal Information

2-1/2" & 3" SERIES 2500 RESILIENT WEDGE GATE VALVE, NRS



OPTIONAL T-HEAD
OPERATING NUT

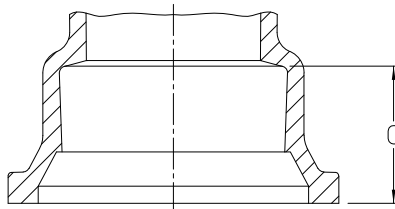


UL Listed
FM Approved
AWWA

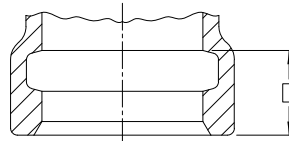
SK951010-1

SHOWN WITH 2" OPERATING NUT

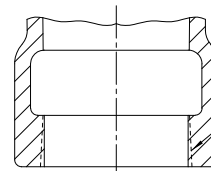
SHOWN WITH OPTIONAL HANDWHEEL



MECHANICAL JOINT (MJ)



PVC



THREADED (SCREW)

TAP SIZE E

OPTIONAL END CONNECTIONS

DIMENSION	VALVE SIZE	
	2-1/2"	3"
End to End - MJ/MJ	-	8.62
End to End - FL/FL	7.50	8.00
End to End - PVC/PVC	11.12	11.38
End to End - Threaded	7.38	7.38
End to End - FL/MJ	-	8.31
A	11.03	11.84
B	12.00	-
C	-	2.50
D	4.00	4.00
E	2-1/2 NPT	3 NPT
Handwheel Diameter	8.00	8.00
No. of Turns to open	11	13

NOTES:

1. Bolt pattern of 2-1/2" flanged ends are in accordance with ASME B16.1, Class 125.
2. Bolt pattern of 3" Class 125 flanged ends are in accordance with ANSI/AWWA C110/A21.10.
3. Mechanical joint ends are in accordance with ANSI/AWWA C153/A21.53.
4. PVC ends are for steel (IPS) sizes of PVC or steel pipe.
5. Threaded ends are in accordance with ASME B16.4, Class 125 (see dimension E).



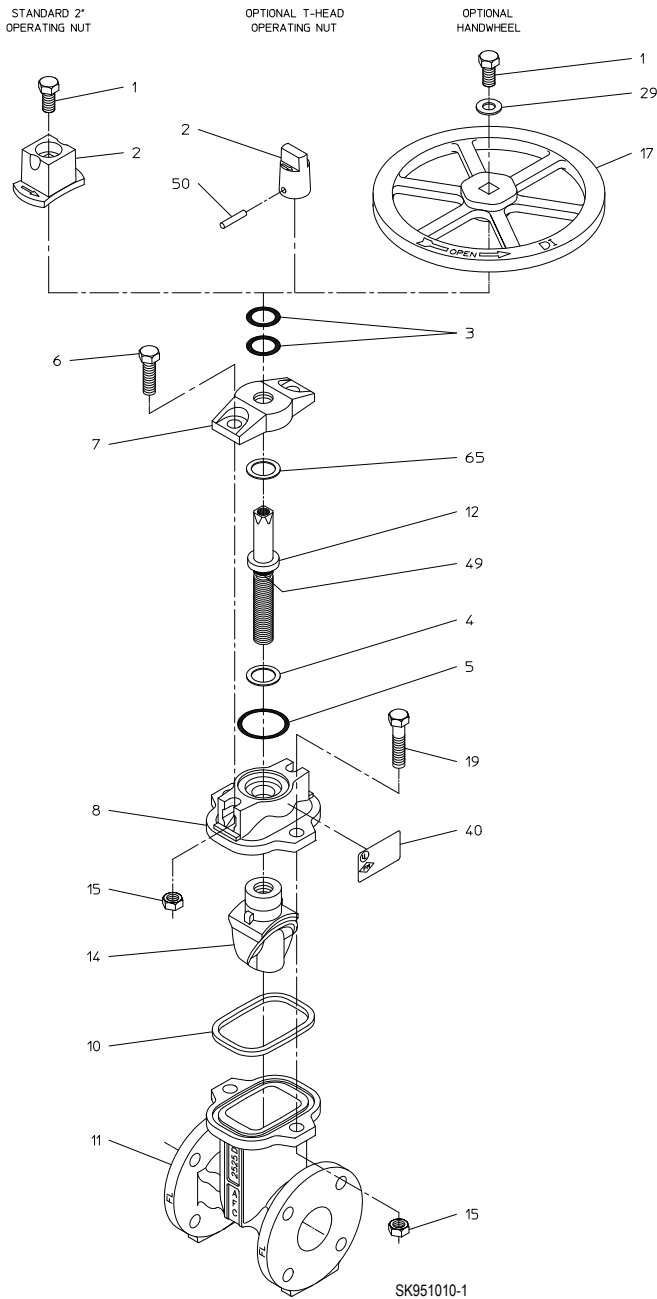
AMERICAN
FLOW CONTROL

THE RIGHT WAY

AMERICAN Flow Control
P.O. Box 2727
Birmingham, Al. 35202-2727
Phone: 1-800-326-8051
Fax: 1-800-610-3569
E-mail: afcsales@american-usa.com

Waterous Company
125 Hardman Avenue South
South St. Paul, Mn. 55075-1191
Phone: 1-888-266-3686
Fax: 1-800-601-2809
E-mail: afcsales@american-usa.com

WWW.AMERICAN-USA.COM



Construction shown is typical of the 2-1/2-inch size with flanged end connections and is illustrative only. Construction of other sizes and end connection types vary slightly. See elsewhere on this submittal for specific details.

REF NO.	DESCRIPTION	MATERIAL
1	Hex Head Bolt, 5/8-11 x 1"	304 Stainless Steel
2	Operating Nut	2" Square & T-Head: Ductile Iron, ASTM A536
3	O-Ring	Rubber
4	Lower Thrust Washer	Nylon 101, Federal Spec No. L-P-401A
5	Stuffing Box Gasket	Rubber O-ring
6	Hex Head Bolt, 5/8-11 x 1-3/4"	304 Stainless Steel
7	Stuffing Box	Ductile Iron, ASTM A536
8	Bonnet	Ductile Iron, ASTM A536
10	Bonnet Gasket	Rubber O-ring
11	Body	Ductile Iron, ASTM A536
12	Stem	Manganese Bronze, ASTM B763, UNS C86700
14	Resilient Wedge	EPDM Rubber Coated Cast NDZ-S Bronze, ASTM B763, UNS C99500
15	Hex Nut, 5/8-11	304 Stainless Steel
17	Handwheel	Ductile Iron, ASTM A536
19	Hex Head Bolt, 5/8-11 x 2-1/4"	304 Stainless Steel
29	Flat Washer, 5/8	304 Stainless Steel
40	UL/FM Label	Pressure Sensitive Acrylic Film
49	O-ring	Rubber
50	Spirol Pin, 5/16 x 1-1/2"	302 Stainless Steel
65	Upper Thrust Washer	304 Stainless Steel

OPTIONAL MATERIALS ARE AS FOLLOWS

BOLTS and NUTS: 316 Stainless Steel

STEM: Stainless Steel

Open Direction: Left (C.C.W.) Right (C.W.)

NOTES:

1. Available in configurations that are UL Listed and FM Approved with 250 psig rated working pressure.
2. Meets applicable requirements of ANSI/AWWA C515 with 250 psig rated working pressure although the standard does not cover valves smaller than 3-inch.
3. Fusion-bonded epoxy-coated in accordance with ANSI/AWWA C550.
4. Certified to NSF/ANSI 61 and 372.



AMERICAN
FLOW CONTROL

THE RIGHT WAY

AMERICAN Flow Control
P.O. Box 2727
Birmingham, Al. 35202-2727
Phone: 1-800-326-8051
Fax: 1-800-610-3569
E-mail: afcsales@american-usa.com

Waterous Company
125 Hardman Avenue South
South St. Paul, Mn. 55075-1191
Phone: 1-888-266-3686
Fax: 1-800-601-2809
E-mail: afcsales@american-usa.com

WWW.AMERICAN-USA.COM