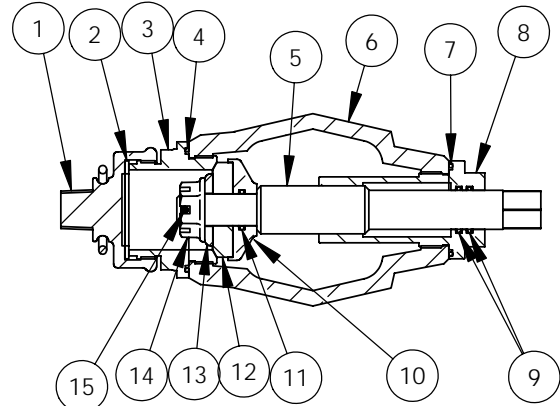
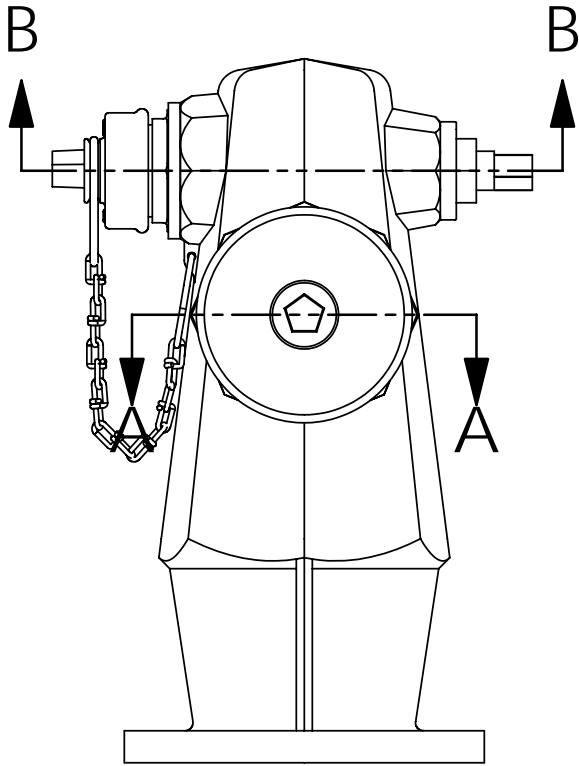


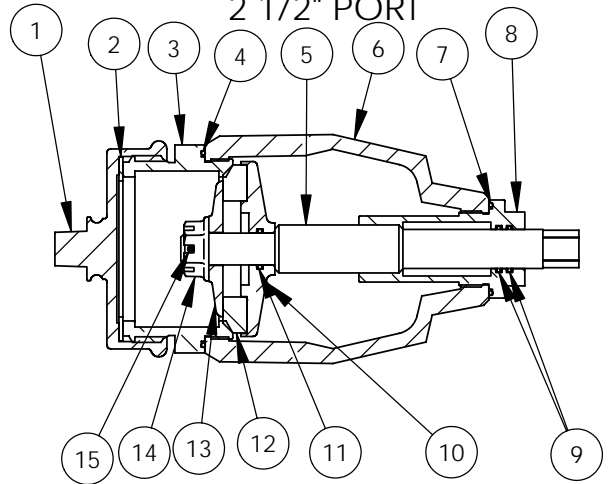
800 SERIES WET BARREL HYDRANT
MATERIAL LIST

CLOW VALVE COMPANY

MODELS 810, 850, 860, & 865



SECTION A-A
2 1/2" PORT



SECTION B-B
4 OR 4 1/2" PORT

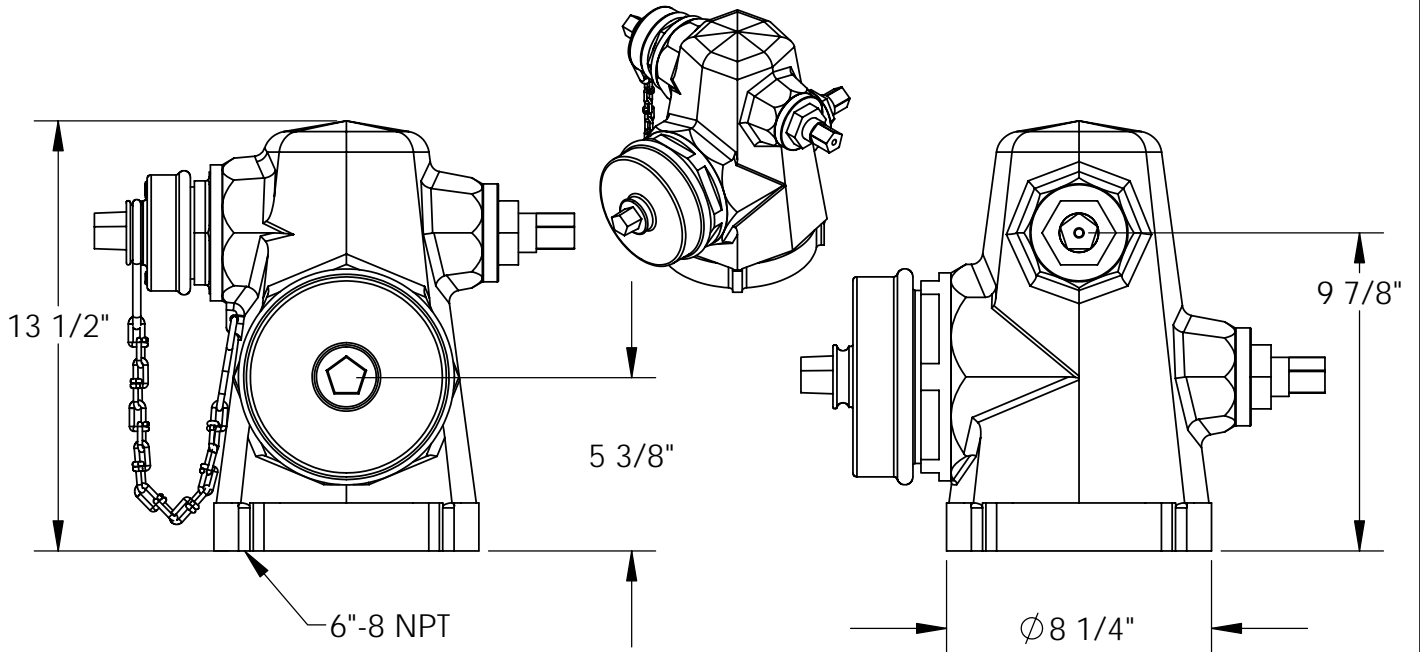
ITEM	DESCRIPTION	MATERIAL	ASTM SPEC.
1	Outlet Nozzle Cap	Gray Iron or Plastic	ASTM A126 CI B / N/A
2	Outlet Nozzle Gasket(Gray Iron Only)	Rubber	Buna N
3	Hose Outlet Nozzle or Pumper Outlet Nozzle	Brass	ASTM B584 C83600
4	Nozzle O-Ring	Rubber	Buna N
5	Stem	Brass	ASTM B584 C83600
6	Body	Ductile Iron	ASTM A536 65-45-12
7	Stuffing Box O-Ring	Rubber	Buna N
8	Stuffing Box	Brass	ASTM B584 C83600
9	Stuffing Box O-Ring	Rubber	Buna N
10	Valve Carrier	Brass	ASTM B584 C83600
11	Carrier O-Ring	Rubber	Buna N
12	Valve Washer	Rubber	Urethane
13	Valve Washer Retainer	Brass	ASTM B763 C99500
14	Retaining Nut	Brass	ASTM B763 C99500
15	Cotter Pin	Brass	N/A
16	Chain Assembly	Steel	Zinc Plated

800 SERIES WET BARREL HYDRANT
GENERAL DIMENSIONS

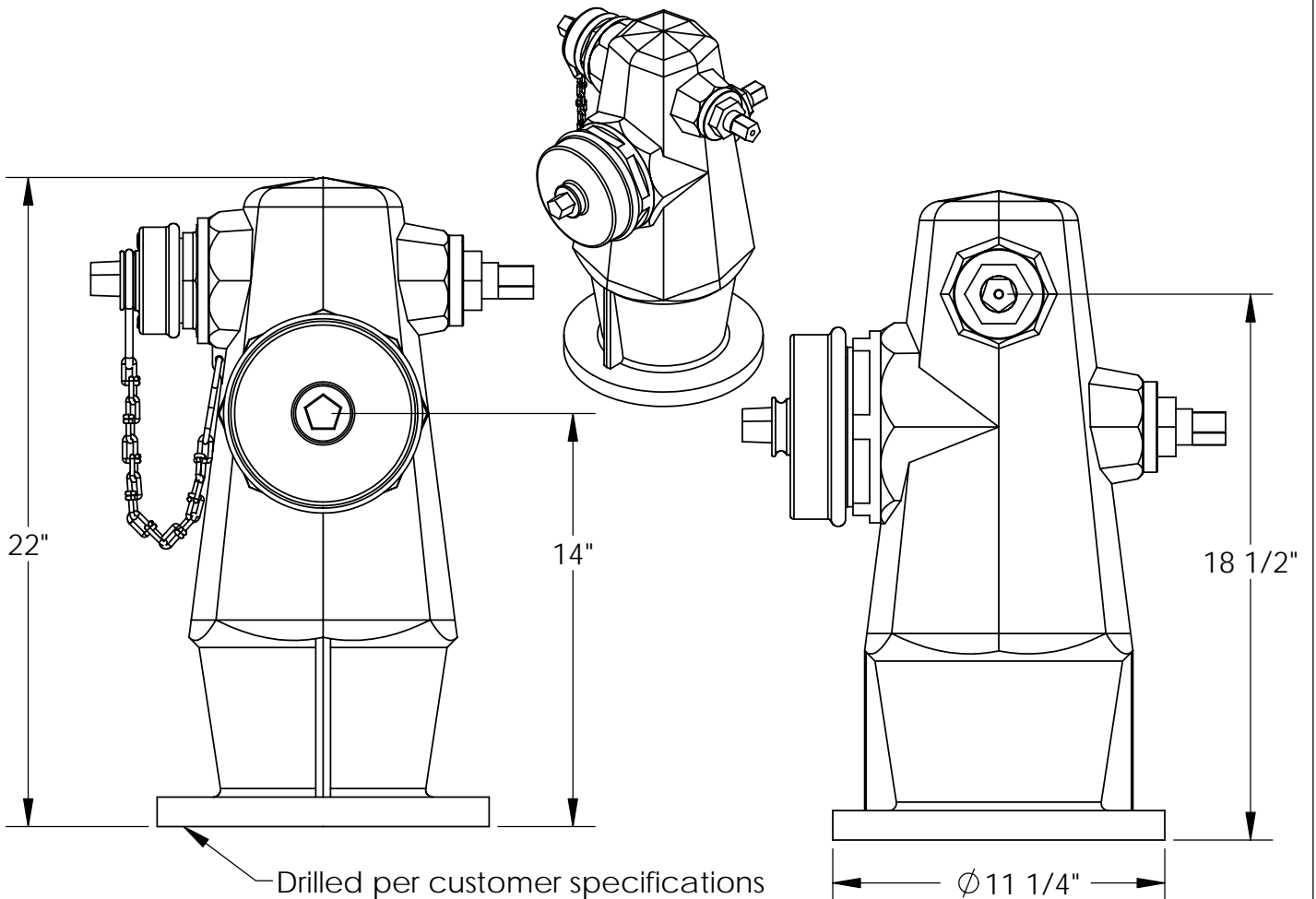
CLOW VALVE COMPANY

MODELS 810 & 850

MODEL 810



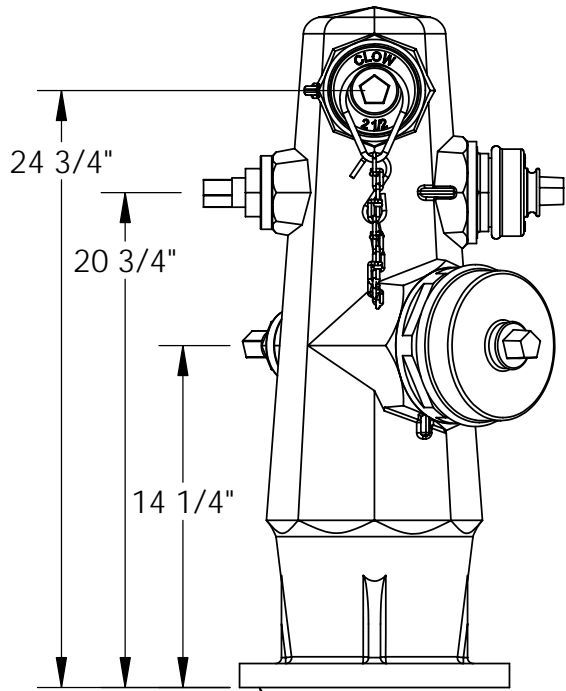
MODEL 850



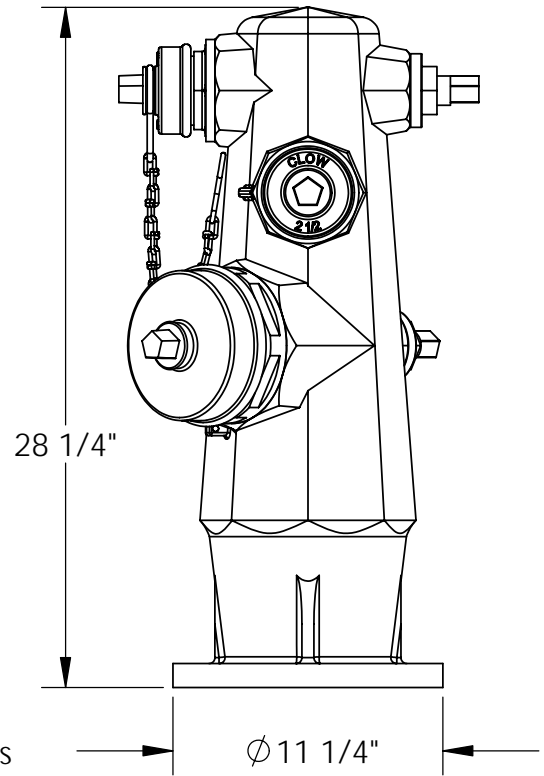
800 SERIES WET BARREL HYDRANT
GENERAL DIMENSIONS

CLOW VALVE COMPANY

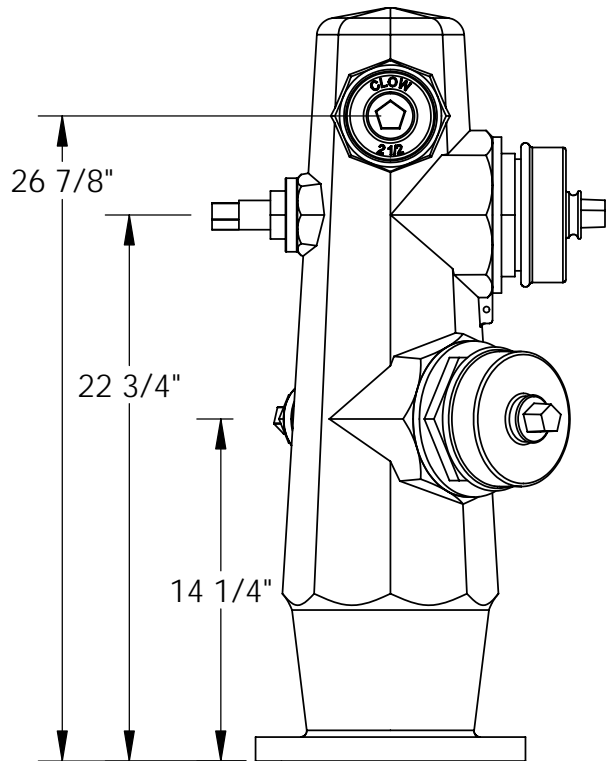
MODELS 860 & 865



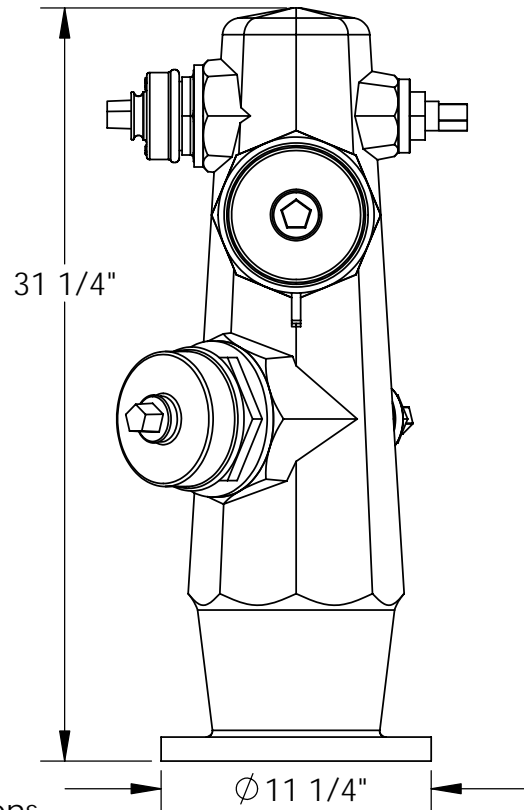
MODEL
860



Drilled per customer specifications



MODEL
865



Drilled per customer specifications